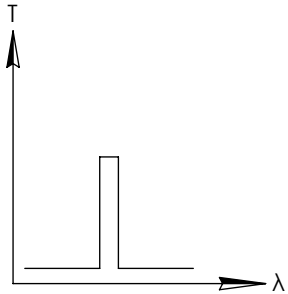
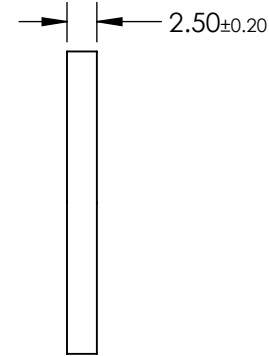
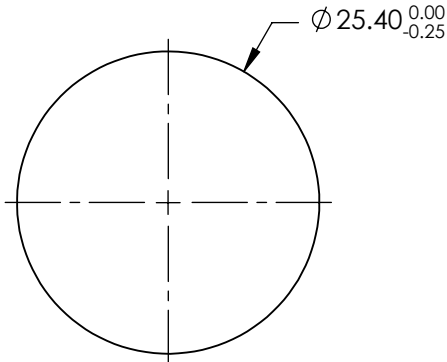
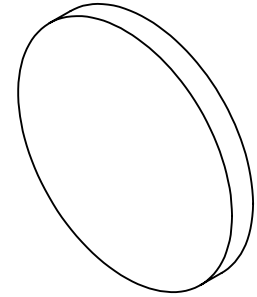


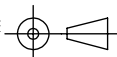
**FOR INFORMATION ONLY:  
DO NOT MANUFACTURE  
PARTS TO THIS DRAWING**




BANDPASS FILTER

SPECIFICATIONS SUBJECT TO CHANGE WITHOUT NOTICE  
DIMENSIONS ARE FOR REFERENCE ONLY

	S1
SHAPE	PLANO
SURFACE QUALITY	80-50
CENTER WAVELENGTH (nm)	360
FULL WIDTH HALF MAX (FWHM) (nm)	45
COATING TYPE	NONE
BEVEL	PROTECTIVE AS NEEDED

THIRD ANGLE PROJECTION 

ALL DIMS IN mm

 **Edmund Optics®**

TITLE: Ø25.4mm, U-360 COLORED GLASS BANDPASS FILTER

DWG NO: 46441

SHEET 1 OF 1