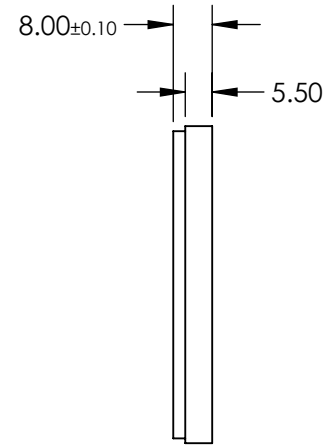
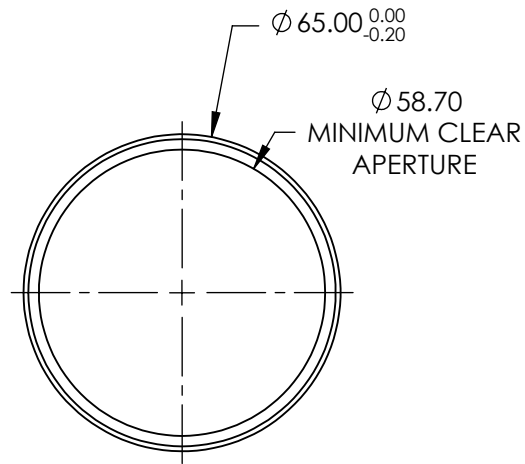
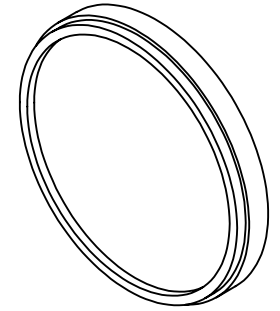


**FOR INFORMATION ONLY:
DO NOT MANUFACTURE
PARTS TO THIS DRAWING**



SPECIFICATIONS SUBJECT TO CHANGE WITHOUT NOTICE
DIMENSIONS ARE FOR REFERENCE ONLY

EO® **Edmund Optics**®

	S1	S2
SHAPE	PLANO	PLANO
SURFACE QUALITY	80-50	80-50
BEVEL	PROTECTIVE AS NEEDED	PROTECTIVE AS NEEDED



ALL DIMS IN mm

TITLE	M62 X 0.75, MOUNTED THREADED, DAYLIGHT BLUE FILTER	
DWG NO	46534	SHEET 1 OF 1