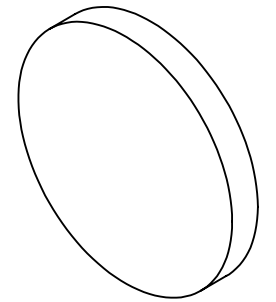


**FOR INFORMATION ONLY:  
DO NOT MANUFACTURE  
PARTS TO THIS DRAWING**



NOTES:

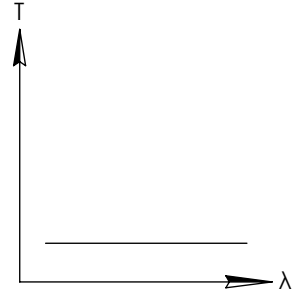
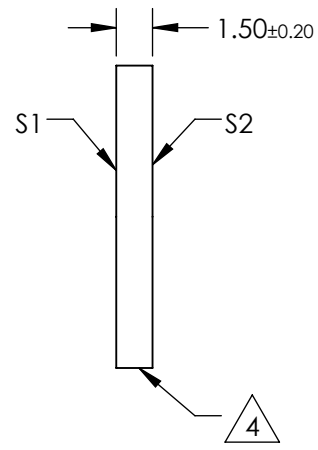
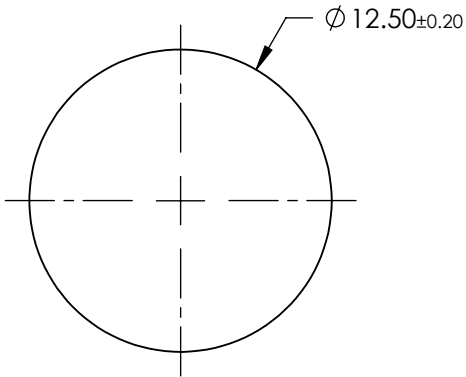
1. SUBSTRATE: FUSED SILICA
2. SURFACE S2 TO BE PARALLEL WITH SURFACE S1 TO WITHIN < 10 ARCMINS
3. COATING (APPLY ACROSS CLEAR APERTURE)  
METALLIC BASED ND, OPTICAL DENSITY (abs) =  $2.5 \pm 10\%$  FROM 700 - 1100nm



4. FINE GROUND SURFACE

5. POWER, IRREGULARITY, AND SURFACE QUALITY SPECIFICATIONS APPLY ACROSS CLEAR APERTURE

6. ROHS COMPLIANT



IR NEUTRAL DENSITY FILTER

SPECIFICATIONS SUBJECT TO CHANGE WITHOUT NOTICE  
DIMENSIONS ARE FOR REFERENCE ONLY

	S1	S2
SHAPE	PLANO	PLANO
SURFACE FLATNESS	3 - 5λ	3 - 5λ
SURFACE QUALITY	40-20	40-20
CLEAR APERTURE	Ø10.0	Ø10.0
BEVEL	PROTECTIVE AS NEEDED	PROTECTIVE AS NEEDED



ALL DIMS IN mm

**EO**® **Edmund Optics**®

TITLE	OD 2.5, Ø12.5mm, NIR ND FILTER		
DWG NO	47831	SHEET	1 OF 1