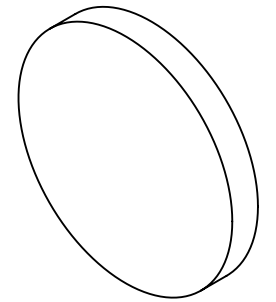


**FOR INFORMATION ONLY:
DO NOT MANUFACTURE
PARTS TO THIS DRAWING**



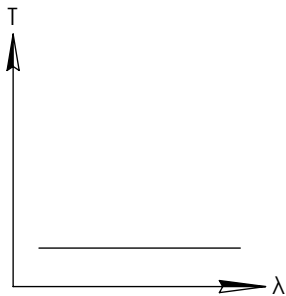
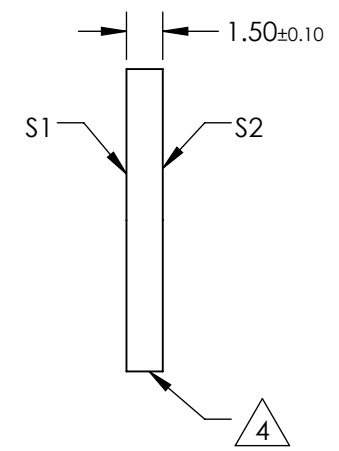
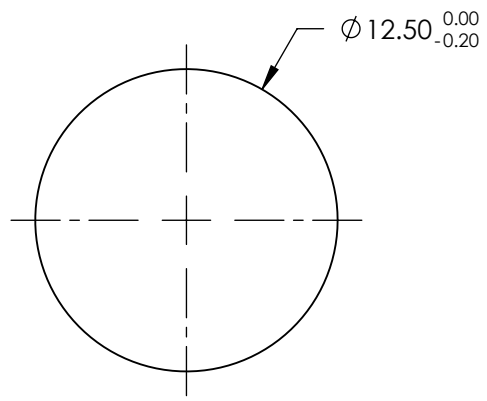
NOTES:

1. SUBSTRATE:
FUSED SILICA
2. SURFACE S2 TO BE PARALLEL WITH SURFACE S1 TO WITHIN 5 ARCSEC
3. COATING (APPLY ACROSS CLEAR APERTURE)
S1: METALLIC BASED ND, OPTICAL DENSITY (abs) = $0.6 \pm 10\%$ FROM 700 - 1100nm
S2: NONE



FINE GROUND SURFACE

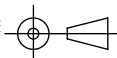
4. POWER, IRREGULARITY, AND SURFACE QUALITY SPECIFICATIONS APPLY ACROSS CLEAR APERTURE
5. TRANSMITTED WAVEFRONT DISTORTION P-V @ 632.8nm: $\leq 0.1 \lambda$
6. ROHS COMPLIANT



NIR NEUTRAL DENSITY FILTER

SPECIFICATIONS SUBJECT TO CHANGE WITHOUT NOTICE
DIMENSIONS ARE FOR REFERENCE ONLY

REV. A	S1	S2
SHAPE	PLANO	PLANO
SURFACE QUALITY	40-20	40-20
CLEAR APERTURE	Ø10.00	Ø10.00
COATING APERTURE	Ø10.00	Ø10.00
BEVEL	PROTECTIVE AS NEEDED	PROTECTIVE AS NEEDED

THIRD ANGLE PROJECTION 

ALL DIMS IN mm

EO® **Edmund Optics**®

TITLE: OD 0.6, Ø12.5mm, NIR ND FILTER

DWG NO: 49067

SHEET 1 OF 1