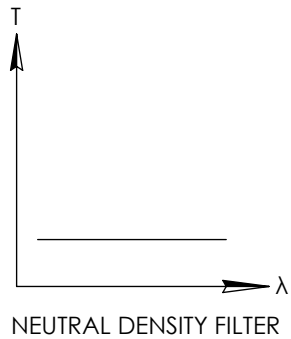
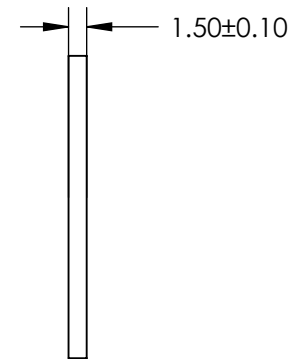
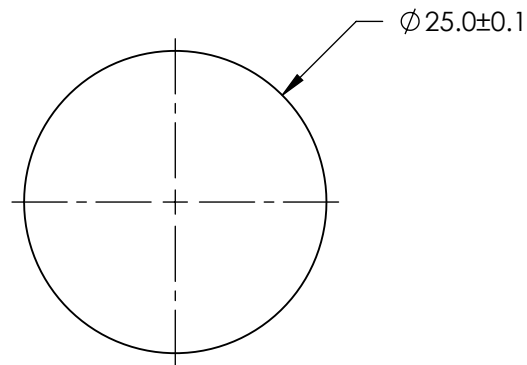
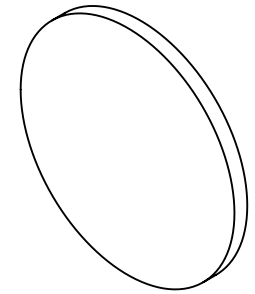


**FOR INFORMATION ONLY:  
DO NOT MANUFACTURE  
PARTS TO THIS DRAWING**



SPECIFICATIONS SUBJECT TO CHANGE WITHOUT NOTICE  
DIMENSIONS ARE FOR REFERENCE ONLY

**EO**<sup>®</sup> **Edmund Optics**<sup>®</sup>

|                        |    |        |   |              |
|------------------------|----|--------|---|--------------|
| THIRD ANGLE PROJECTION |    | TITLE  | OD 1.3, Ø25mm NIR, NON-REFLECTIVE ND FILTER |              |
| ALL DIMS IN            | mm | DWG NO | 63411                                       | SHEET 1 OF 1 |