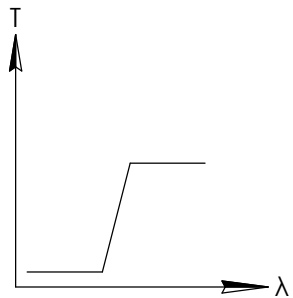
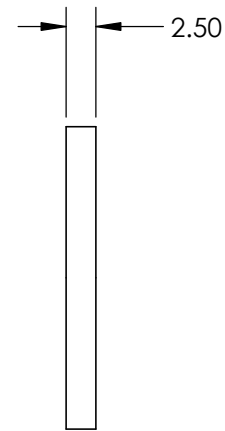
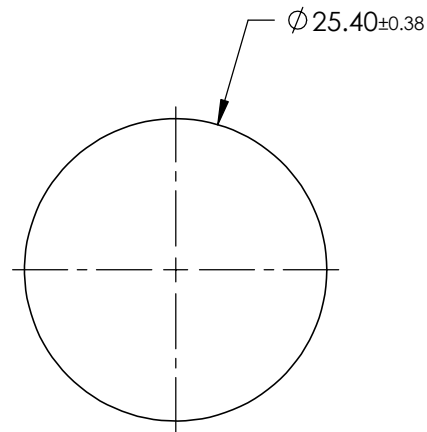
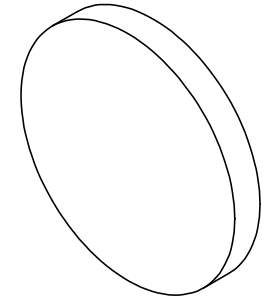


**FOR INFORMATION ONLY:
DO NOT MANUFACTURE
PARTS TO THIS DRAWING**



LONGPASS FILTER

SPECIFICATIONS SUBJECT TO CHANGE WITHOUT NOTICE
DIMENSIONS ARE FOR REFERENCE ONLY

REV. A	VALUE
SHAPE	PLANO
SPECTRAL TRANSMITTANCE $\pm_{ip}(\%)$	92
PASSBAND LIMIT λ_{p1} (nm)	520
CUT-OFF POSITION λ_c (nm)	500 \pm 6
STOPBAND LIMIT λ_s (nm)	458
WAVELENGTH	VIS
BEVEL	PROTECTIVE AS NEEDED



ALL DIMS IN mm

TITLE	$\varnothing 25.4\text{mm}$, Y-50 LONGPASS FILTER		
DWG NO	66050	SHEET	1 OF 1