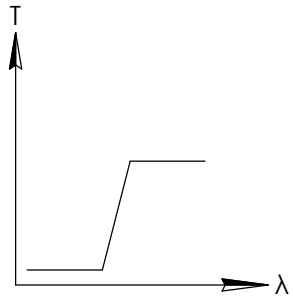
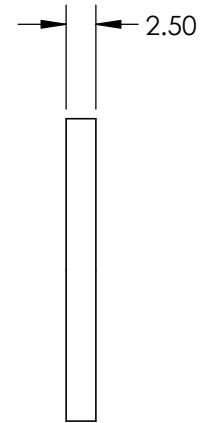
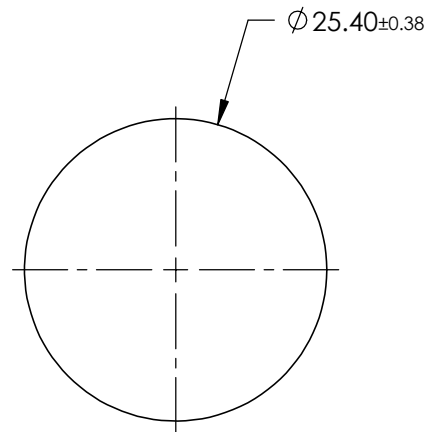
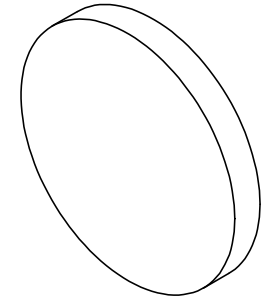


**FOR INFORMATION ONLY:
DO NOT MANUFACTURE
PARTS TO THIS DRAWING**



LONGPASS FILTER

SPECIFICATIONS SUBJECT TO CHANGE WITHOUT NOTICE
DIMENSIONS ARE FOR REFERENCE ONLY

REV. A	VALUE
SHAPE	PLANO
SPECTRAL TRANSMITTANCE $\tau_{ip}(\%)$	96
PASSBAND LIMIT λ_{p1} (nm)	650
CUT-OFF POSITION λ_c (nm)	620±6
STOPBAND LIMIT λ_s (nm)	578
WAVELENGTH	VIS
BEVEL	PROTECTIVE AS NEEDED



ALL DIMS IN

mm

TITLE

Ø25.4mm, R-62 LONGPASS FILTER

DWG NO

66055

SHEET
1 OF 1