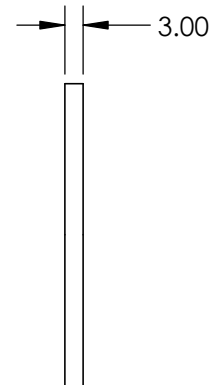
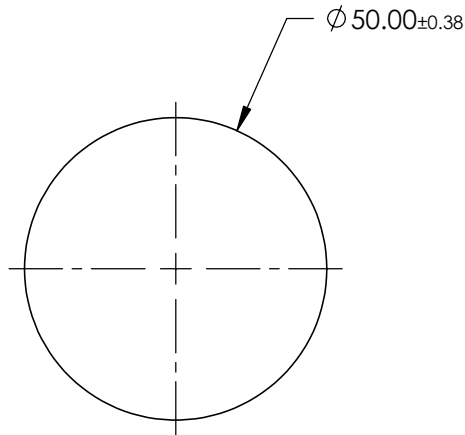
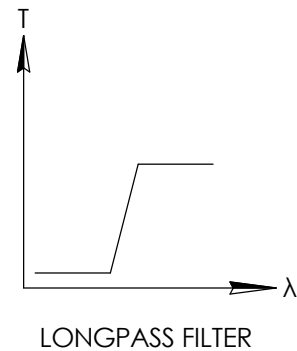
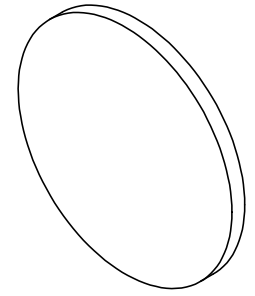
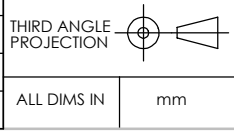


**FOR INFORMATION ONLY:
DO NOT MANUFACTURE
PARTS TO THIS DRAWING**



SPECIFICATIONS SUBJECT TO CHANGE WITHOUT NOTICE
DIMENSIONS ARE FOR REFERENCE ONLY

REV. A	VALUE
SHAPE	PLANO
SPECTRAL TRANSMITTANCE $t_{ip}(\%)$	99
PASSBAND LIMIT λ_{p1} (nm)	400
CUT-OFF POSITION λ_c (nm)	300±6
STOPBAND LIMIT λ_s (nm)	250
WAVELENGTH	UV
BEVEL	PROTECTIVE AS NEEDED



TITLE	Ø50mm, Longpass Glass Color Filter		
DWG NO	66072	SHEET	1 OF 1