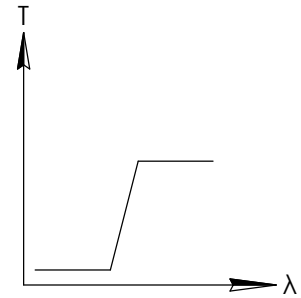
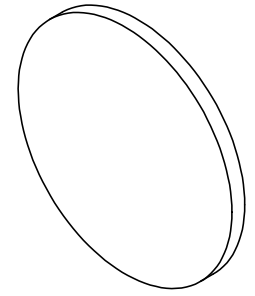
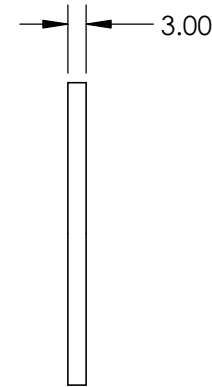
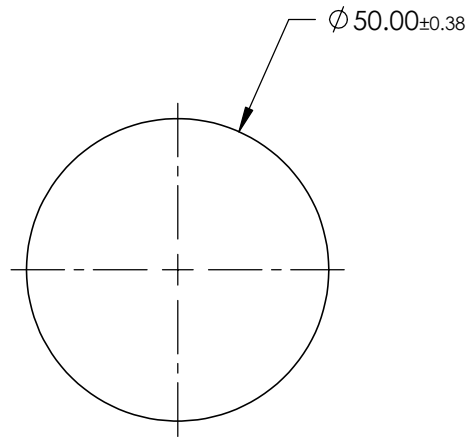


**FOR INFORMATION ONLY:  
DO NOT MANUFACTURE  
PARTS TO THIS DRAWING**



LONGPASS FILTER

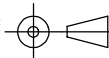


SPECIFICATIONS SUBJECT TO CHANGE WITHOUT NOTICE  
DIMENSIONS ARE FOR REFERENCE ONLY

REV. A	VALUE
SHAPE	PLANO
SPECTRAL TRANSMITTANCE $t_{ip}(\%)$	93
PASSBAND LIMIT $\lambda_{p1}$ (nm)	530
CUT-OFF POSITION $\lambda_c$ (nm)	420±6
STOPBAND LIMIT $\lambda_s$ (nm)	360
WAVELENGTH	VIS
BEVEL	PROTECTIVE AS NEEDED



THIRD ANGLE  
PROJECTION



TITLE

Ø50mm, Longpass Glass Color Filter

ALL DIMS IN

mm

DWG NO

66079

SHEET  
1 OF 1