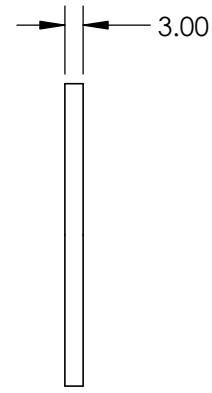
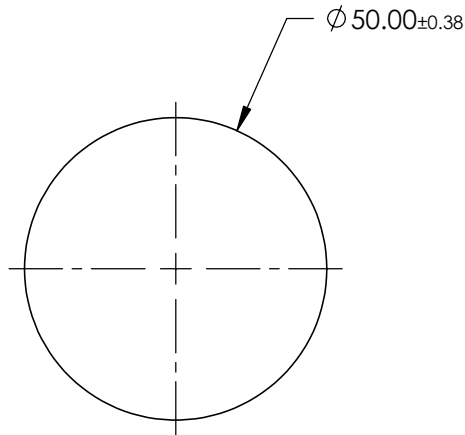
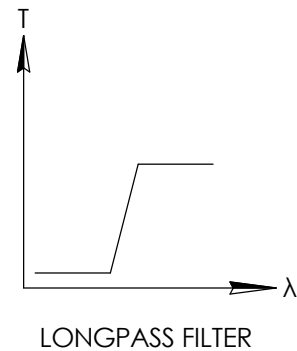
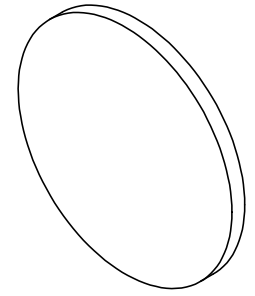


**FOR INFORMATION ONLY:
DO NOT MANUFACTURE
PARTS TO THIS DRAWING**



SPECIFICATIONS SUBJECT TO CHANGE WITHOUT NOTICE
DIMENSIONS ARE FOR REFERENCE ONLY

REV. A	VALUE
SHAPE	PLANO
SPECTRAL TRANSMITTANCE $t_{ip}(\%)$	93
PASSBAND LIMIT λ_{p1} (nm)	580
CUT-OFF POSITION λ_c (nm)	515±6
STOPBAND LIMIT λ_s (nm)	440
WAVELENGTH	VIS
BEVEL	PROTECTIVE AS NEEDED



THIRD ANGLE PROJECTION	TITLE	Ø50mm, Longpass Glass Color Filter	
ALL DIMS IN mm	DWG NO	66085	SHEET 1 OF 1