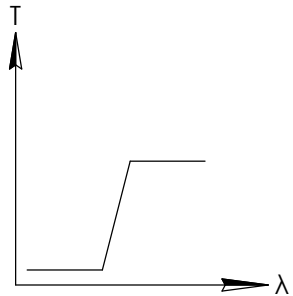
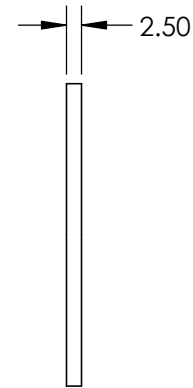
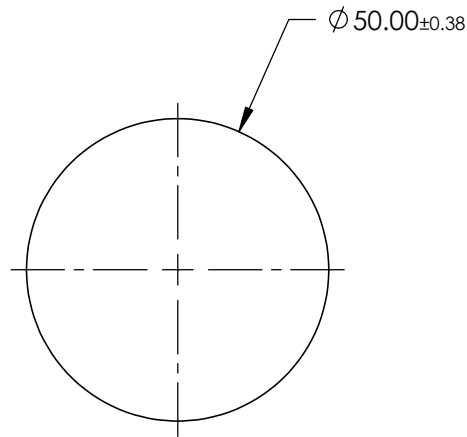
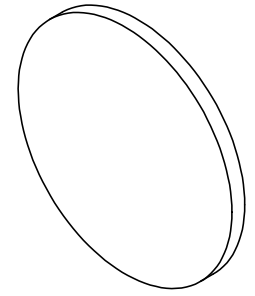


**FOR INFORMATION ONLY:  
DO NOT MANUFACTURE  
PARTS TO THIS DRAWING**



LONGPASS FILTER

SPECIFICATIONS SUBJECT TO CHANGE WITHOUT NOTICE  
DIMENSIONS ARE FOR REFERENCE ONLY

REV. A	VALUE
SHAPE	PLANO
SPECTRAL TRANSMITTANCE $\tau_{ip}(\%)$	96
PASSBAND LIMIT $\lambda_{p1}$ (nm)	590
CUT-OFF POSITION $\lambda_c$ (nm)	560±6
STOPBAND LIMIT $\lambda_s$ (nm)	518
WAVELENGTH	VIS
BEVEL	PROTECTIVE AS NEEDED



ALL DIMS IN mm



TITLE	$\varnothing 50\text{mm}$ , Longpass Glass Color Filter
DWG NO	66089
SHEET	1 OF 1