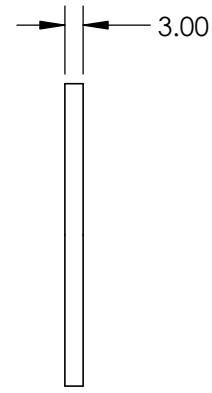
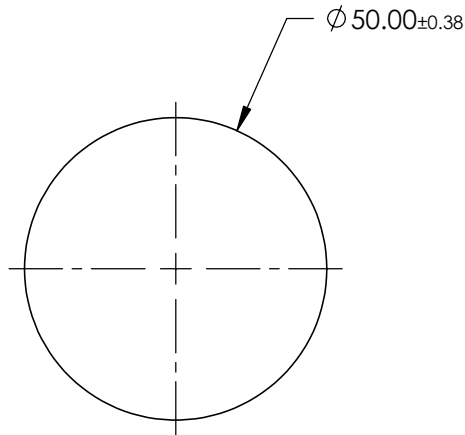
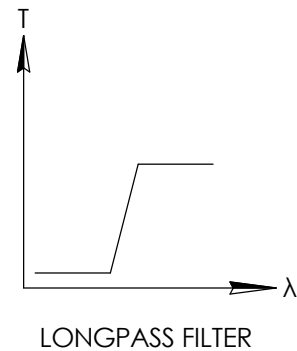
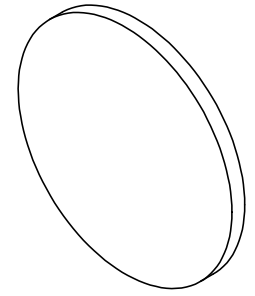


**FOR INFORMATION ONLY:  
DO NOT MANUFACTURE  
PARTS TO THIS DRAWING**



SPECIFICATIONS SUBJECT TO CHANGE WITHOUT NOTICE  
DIMENSIONS ARE FOR REFERENCE ONLY

REV. A	VALUE
SHAPE	PLANO
SPECTRAL TRANSMITTANCE $t_{ip}(\%)$	93
PASSBAND LIMIT $\lambda_{p1}$ (nm)	640
CUT-OFF POSITION $\lambda_c$ (nm)	570±6
STOPBAND LIMIT $\lambda_s$ (nm)	500
WAVELENGTH	VIS
BEVEL	PROTECTIVE AS NEEDED



THIRD ANGLE PROJECTION	TITLE	Ø50mm, Longpass Glass Color Filter	
ALL DIMS IN	mm	DWG NO	66090
			SHEET 1 OF 1