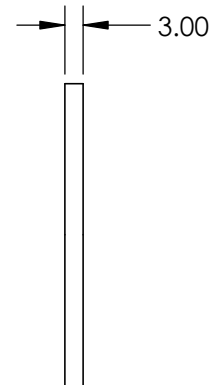
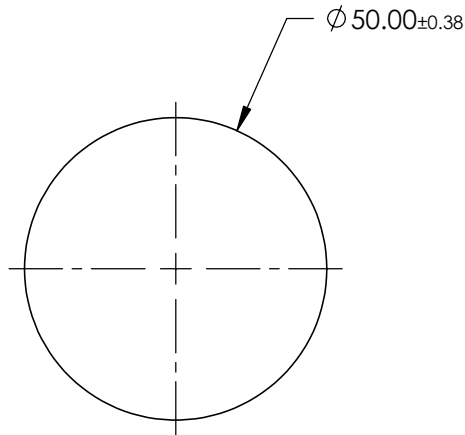
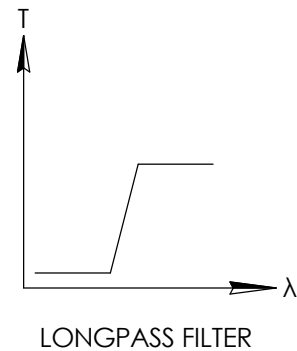
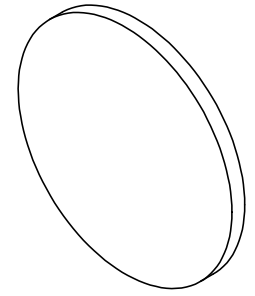
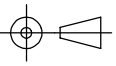


**FOR INFORMATION ONLY:
DO NOT MANUFACTURE
PARTS TO THIS DRAWING**



SPECIFICATIONS SUBJECT TO CHANGE WITHOUT NOTICE
DIMENSIONS ARE FOR REFERENCE ONLY

REV. A	VALUE
SHAPE	PLANO
SPECTRAL TRANSMITTANCE $\pm 1_{ip}(\%)$	96
PASSBAND LIMIT $1 \lambda_{p1}$ (nm)	780
CUT-OFF POSITION λ_c (nm)	695 \pm 6
STOPBAND LIMIT λ_s (nm)	610
WAVELENGTH	VIS
BEVEL	PROTECTIVE AS NEEDED

THIRD ANGLE PROJECTION 

ALL DIMS IN mm

EO® Edmund Optics®

TITLE: $\varnothing 50\text{mm}$, Longpass Glass Color Filter

DWG NO: 66100

SHEET 1 OF 1