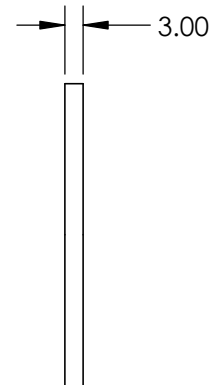
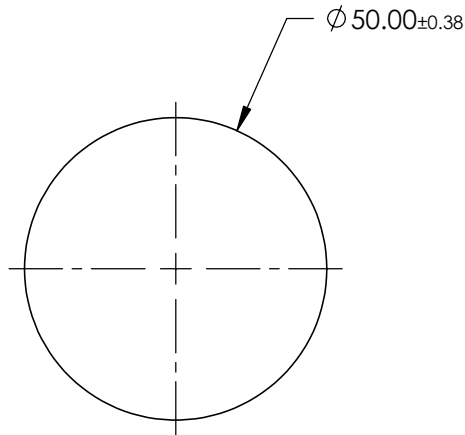
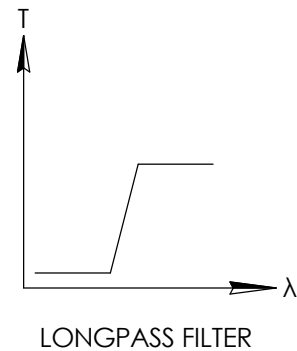
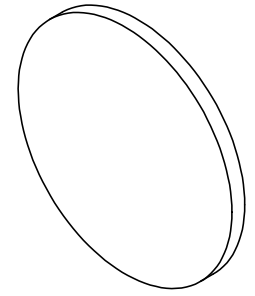
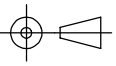


**FOR INFORMATION ONLY:
DO NOT MANUFACTURE
PARTS TO THIS DRAWING**



SPECIFICATIONS SUBJECT TO CHANGE WITHOUT NOTICE
DIMENSIONS ARE FOR REFERENCE ONLY

REV. A	VALUE
SHAPE	PLANO
SPECTRAL TRANSMITTANCE $\tau_{ip}(\%)$	97
PASSBAND LIMIT λ_{p1} (nm)	1200
CUT-OFF POSITION λ_c (nm)	850±9
STOPBAND LIMIT λ_s (nm)	700
WAVELENGTH	IR
BEVEL	PROTECTIVE AS NEEDED

THIRD ANGLE PROJECTION 

ALL DIMS IN mm

 **Edmund Optics®**

TITLE: $\varnothing 50\text{mm}$, Longpass Glass Color Filter

DWG NO: 66107

SHEET 1 OF 1