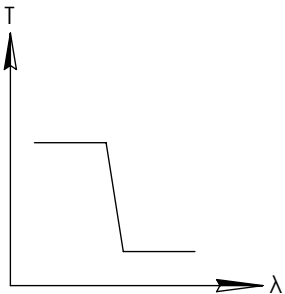
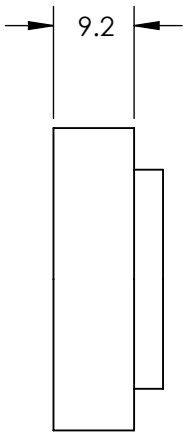
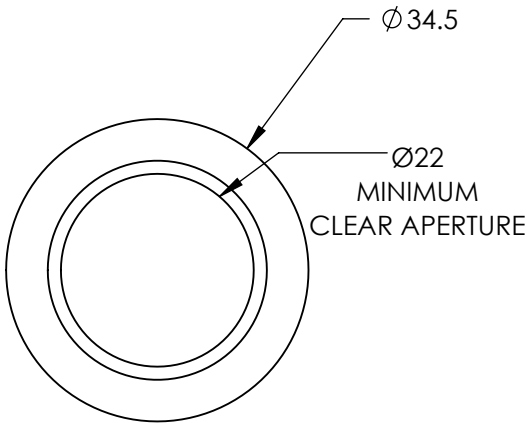
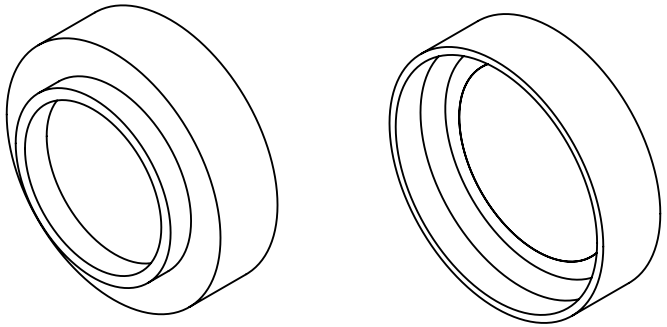


**FOR INFORMATION ONLY:  
DO NOT MANUFACTURE  
PARTS TO THIS DRAWING**



SHORTPASS FILTER

SPECIFICATIONS SUBJECT TO CHANGE WITHOUT NOTICE  
DIMENSIONS ARE FOR REFERENCE ONLY

REV. A	VALUE
CUT-OFF WAVELENGTH	400±2nm
TRANSMISSION WAVELENGTH	250 - 385nm
REJECTION WAVELENGTH	420 - 485nm
TRANSMISSION	>85
SURFACE QUALITY	40-20
COATING TYPE	TRADITIONAL COATED



THIRD ANGLE PROJECTION		TITLE	M30.5 x 0.5, 400nm MOUNTED SHORTPASS FILTER
ALL DIMS IN	mm	DWG NO	66654
			SHEET 1 OF 1