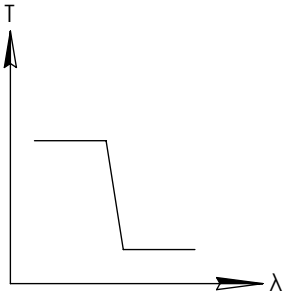
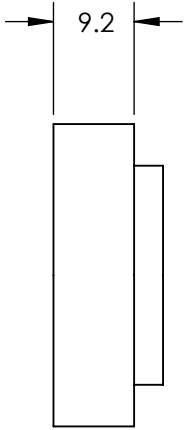
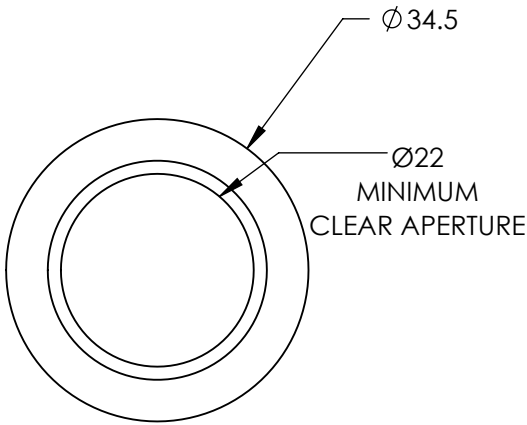
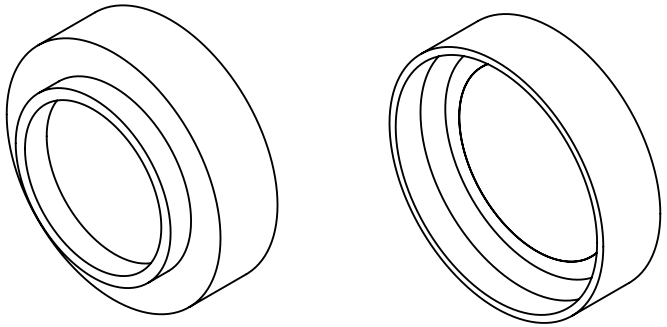


**FOR INFORMATION ONLY:
DO NOT MANUFACTURE
PARTS TO THIS DRAWING**



SHORTPASS FILTER

SPECIFICATIONS SUBJECT TO CHANGE WITHOUT NOTICE
DIMENSIONS ARE FOR REFERENCE ONLY

REV. A	VALUE
CUT-OFF WAVELENGTH	600±2nm
TRANSMISSION WAVELENGTH	400 - 580nm
REJECTION WAVELENGTH	625 - 795nm
TRANSMISSION	>85
SURFACE QUALITY	40-20
COATING TYPE	TRADITIONAL COATED



ALL DIMS IN mm

TITLE	M30.5 x 0.5, 600nm MOUNTED SHORTPASS FILTER
DWG NO	66658
SHEET	1 OF 1