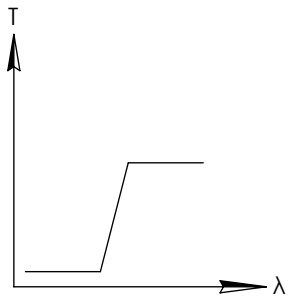
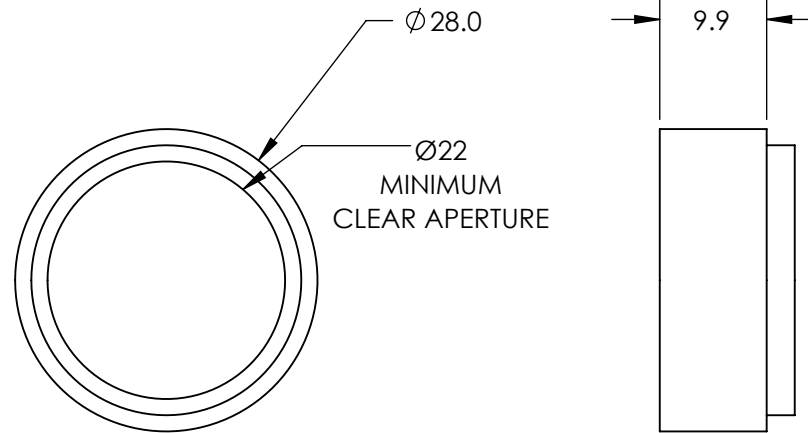
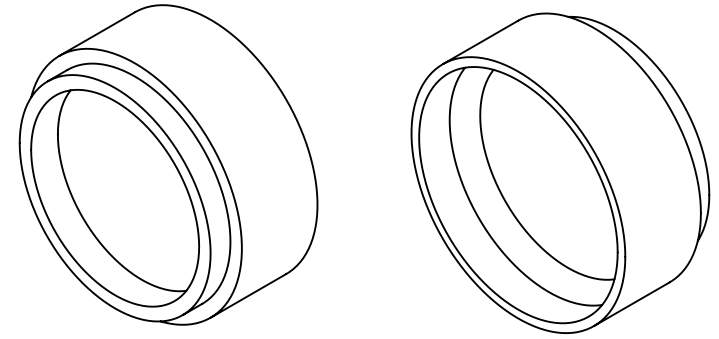


**FOR INFORMATION ONLY:
DO NOT MANUFACTURE
PARTS TO THIS DRAWING**



LONGPASS FILTER

SPECIFICATIONS SUBJECT TO CHANGE WITHOUT NOTICE
DIMENSIONS ARE FOR REFERENCE ONLY

| REV. A | VALUE |
|-------------------------|--------------------|
| CUT-ON WAVELENGTH | 700nm |
| TRANSMISSION WAVELENGTH | 725 - 2000nm |
| REJECTION WAVELENGTH | 535 - 660nm |
| TRANSMISSION | >85 |
| SURFACE QUALITY | 40-20 |
| COATING TYPE | TRADITIONAL COATED |



| | | | |
|------------------------|----|--------|--|
| THIRD ANGLE PROJECTION | | TITLE | M25.5 x 0.5, 700nm MOUNTED LONGPASS FILTER |
| ALL DIMS IN | mm | DWG NO | 66675 |
| | | | SHEET 1 OF 1 |