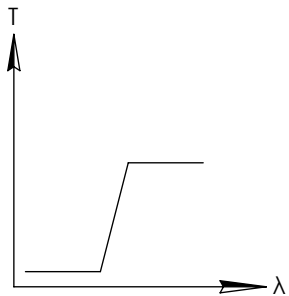
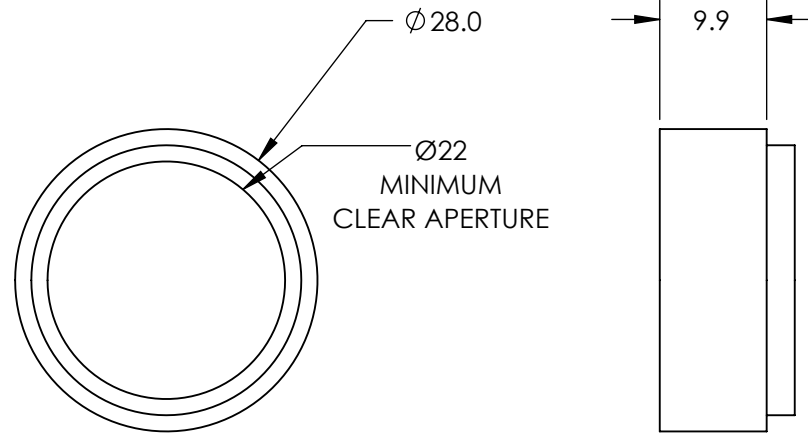
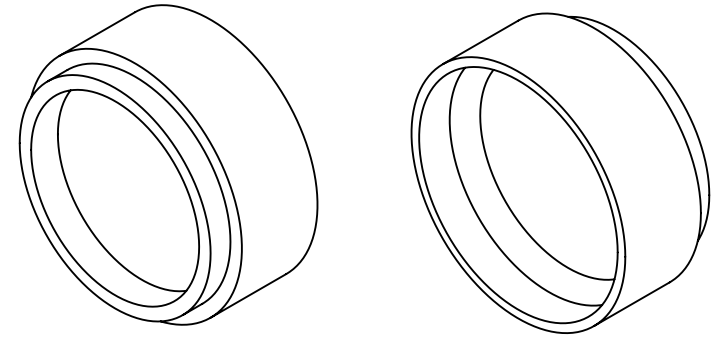


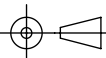
**FOR INFORMATION ONLY:
DO NOT MANUFACTURE
PARTS TO THIS DRAWING**



LONGPASS FILTER

SPECIFICATIONS SUBJECT TO CHANGE WITHOUT NOTICE
DIMENSIONS ARE FOR REFERENCE ONLY

REV. A	VALUE
CUT-ON WAVELENGTH	750nm
TRANSMISSION WAVELENGTH	780 - 2000nm
REJECTION WAVELENGTH	565 - 715nm
TRANSMISSION	>85
SURFACE QUALITY	40-20
COATING TYPE	TRADITIONAL COATED

THIRD ANGLE PROJECTION 

ALL DIMS IN mm

EO® Edmund Optics®

TITLE: M25.5 x 0.5, 750nm MOUNTED LONGPASS FILTER

DWG NO: 66676

SHEET 1 OF 1