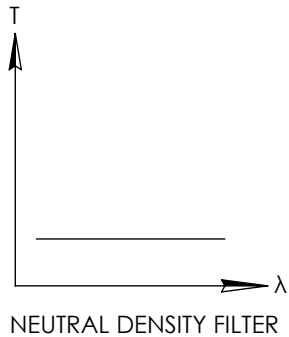
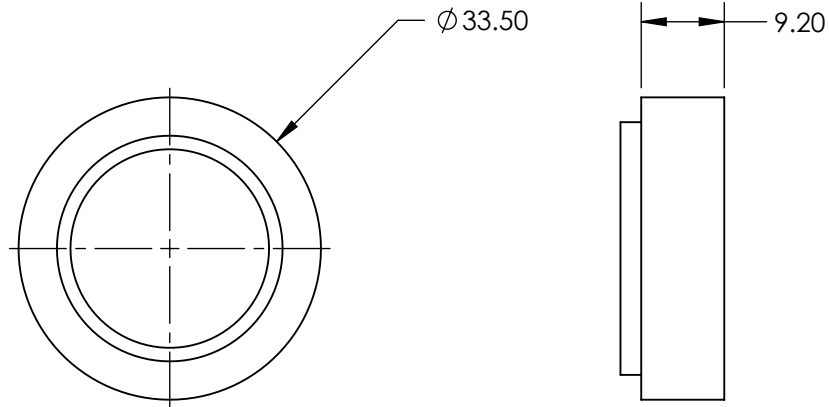
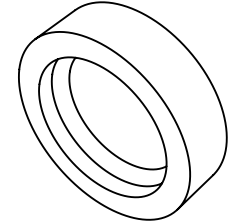


NOTES:

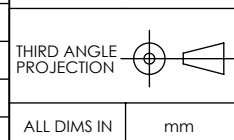
1. SUBSTRATE
2. SURFACE S2 TO BE PARALLEL WITH SURFACE S1 TO WITHIN 5 arcsec
3. FINE GRIND SURFACE
4. POWER, IRREGULARITY, AND SURFACE QUALITY SPECIFICATIONS APPLY ACROSS CLEAR APERTURE
5. ROHS COMPLIANT

**FOR INFORMATION ONLY:  
DO NOT MANUFACTURE  
PARTS TO THIS DRAWING**



SPECIFICATIONS SUBJECT TO CHANGE WITHOUT NOTICE  
DIMENSIONS ARE FOR REFERENCE ONLY

	S1	S2
SHAPE	PLANO	PLANO
CLEAR APERTURE	22	22
COATING APERTURE	UNCOATED	UNCOATED
BEVEL	PROTECTIVE AS NEEDED	PROTECTIVE AS NEEDED



**EO**® **Edmund Optics**®

TITLE	M30.5 x 0.5, OD 0.1, 400 - 700nm ABSORPTIVE ND FILTER
DWG NO	66714
SHEET	1 OF 1