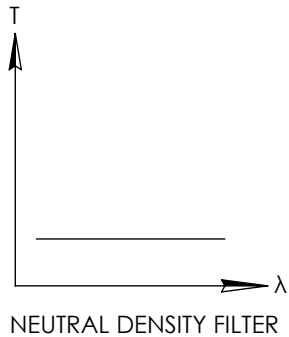
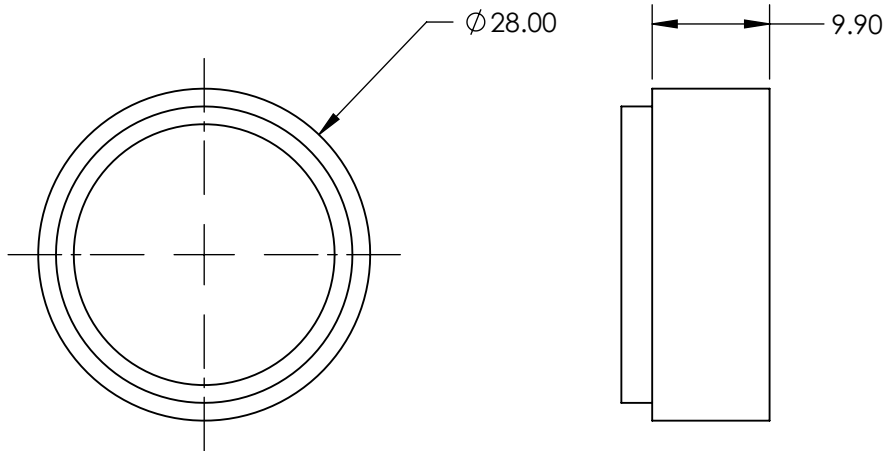
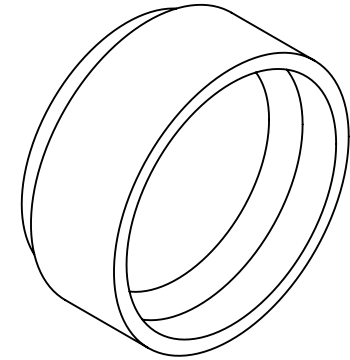


NOTES:

1. SUBSTRATE
2. SURFACE S2 TO BE PARALLEL WITH SURFACE S1 TO WITHIN 5 arcsec
3. FINE GRIND SURFACE
4. POWER, IRREGULARITY, AND SURFACE QUALITY SPECIFICATIONS APPLY ACROSS CLEAR APERTURE
5. ROHS COMPLIANT

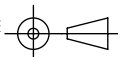
**FOR INFORMATION ONLY:
DO NOT MANUFACTURE
PARTS TO THIS DRAWING**



SPECIFICATIONS SUBJECT TO CHANGE WITHOUT NOTICE
DIMENSIONS ARE FOR REFERENCE ONLY

EO® **Edmund Optics**®

REV A	S1	S2
SHAPE	PLANO	PLANO
CLEAR APERTURE	22	22
COATING APERTURE	NON-REFLECTIVE ND	NON-REFLECTIVE ND
BEVEL	PROTECTIVE AS NEEDED	PROTECTIVE AS NEEDED

THIRD ANGLE PROJECTION 

ALL DIMS IN mm

TITLE	M25.5 x 0.5, OD 2, 700 - 1200nm NON-REFLECTIVE ND FILTER
DWG NO	66736
SHEET	1 OF 1