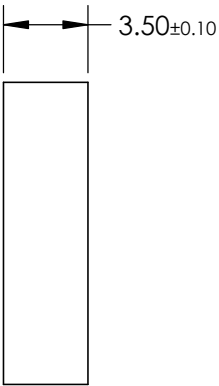
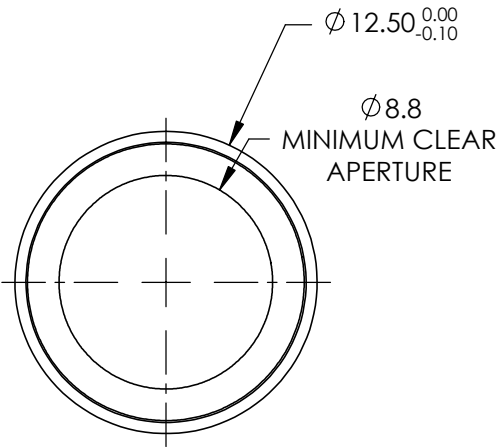
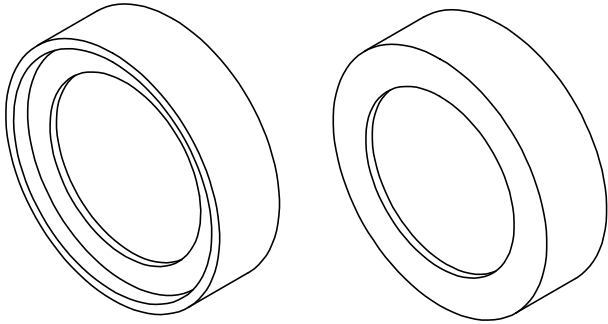


**FOR INFORMATION ONLY:
DO NOT MANUFACTURE
PARTS TO THIS DRAWING**



REV. A	VALUE
CENTER WAVELENGTH (CWL)	500 ± 2nm
FULL WIDTH HALF MAX (FWHM)	29 ± 2nm
MINIMUM TRANSMISSION	93%
BLOCKING	250 - 1100nm
SURFACE QUALITY	60-40
CONSTRUCTION	MOUNTED IN BLACK ANODIZED ALUMINUM RING
COATING TYPE	HARD COATED
DURABILITY	MIL-C-48497A SECT. 3.4.1
ENVIRONMENTAL	MIL-STD-801F, SECT. 507.4

SPECIFICATIONS SUBJECT TO CHANGE WITHOUT NOTICE
DIMENSIONS ARE FOR REFERENCE ONLY



THIRD ANGLE PROJECTION		TITLE	OD6, Ø12.5mm, 500nm x 29nm, BP FLUORESCENCE FILTER	
ALL DIMS IN	mm	DWG NO	67015	SHEET 1 OF 1