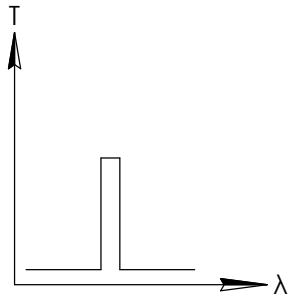
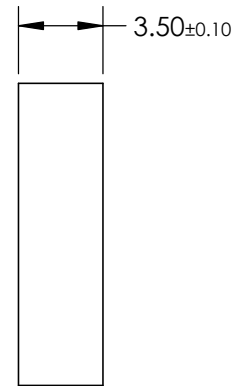
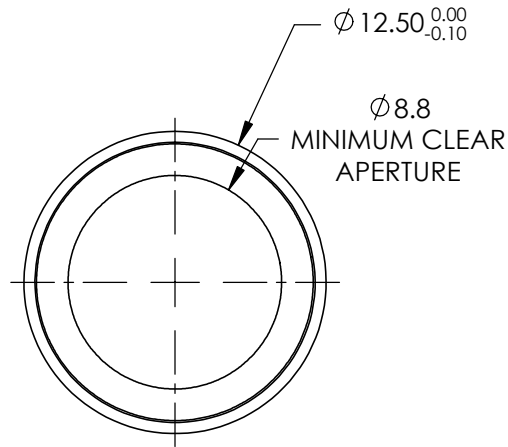
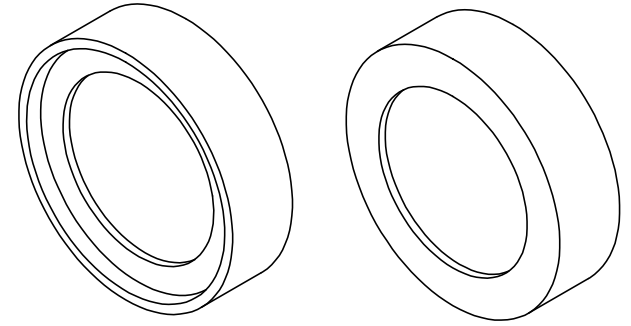


**FOR INFORMATION ONLY:
DO NOT MANUFACTURE
PARTS TO THIS DRAWING**



BANDPASS FILTER

| REV. A | VALUE |
|----------------------------|---|
| CENTER WAVELENGTH (CWL) | 562 ± 2nm |
| FULL WIDTH HALF MAX (FWHM) | 46 ± 2nm |
| MINIMUM TRANSMISSION | 93% |
| BLOCKING | 250 - 1100nm |
| SURFACE QUALITY | 60-40 |
| CONSTRUCTION | MOUNTED IN BLACK ANODIZED ALUMINUM RING |
| COATING TYPE | HARD COATED |
| DURABILITY | MIL-C-48497A SECT. 3.4.1 |
| ENVIRONMENTAL | MIL-STD-801F, SECT. 507.4 |

SPECIFICATIONS SUBJECT TO CHANGE WITHOUT NOTICE
DIMENSIONS ARE FOR REFERENCE ONLY



ALL DIMS IN

mm

TITLE

OD6, Ø12.5mm, 562nm x 46nm, BP
FLUORESCENCE FILTER

DWG NO

67019

SHEET
1 OF 1