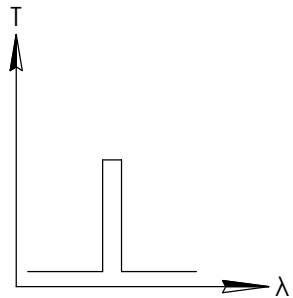
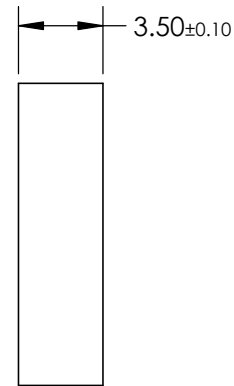
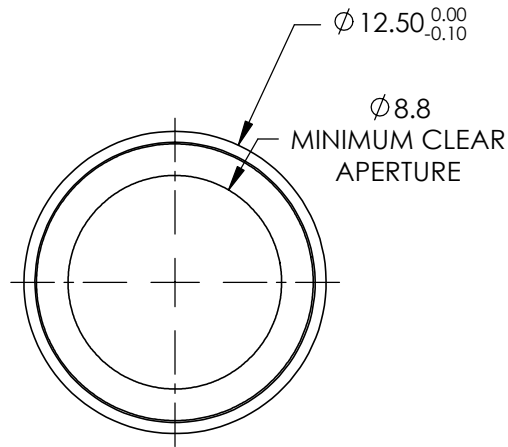
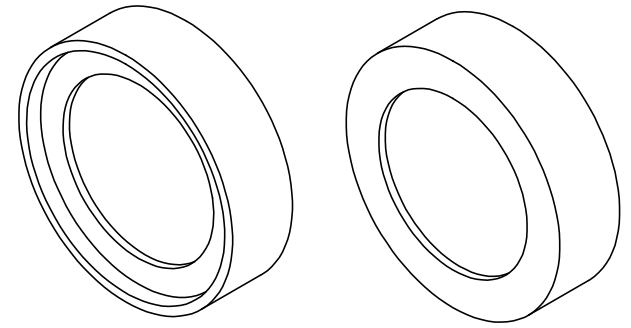


**FOR INFORMATION ONLY:  
DO NOT MANUFACTURE  
PARTS TO THIS DRAWING**



BANDPASS FILTER

REV. A	VALUE
CENTER WAVELENGTH (CWL)	624 ± 2nm
FULL WIDTH HALF MAX (FWHM)	46 ± 2nm
MINIMUM TRANSMISSION	93%
BLOCKING	250 - 1100nm
SURFACE QUALITY	60-40
CONSTRUCTION	MOUNTED IN BLACK ANODIZED ALUMINUM RING
COATING TYPE	HARD COATED
DURABILITY	MIL-C-48497A SECT. 3.4.1
ENVIRONMENTAL	MIL-STD-801F, SECT. 507.4

SPECIFICATIONS SUBJECT TO CHANGE WITHOUT NOTICE  
DIMENSIONS ARE FOR REFERENCE ONLY



ALL DIMS IN

mm

TITLE

OD6, Ø12.5mm, 624nm x 46nm, BP  
FLUORESCENCE FILTER

DWG NO

67021

SHEET  
1 OF 1