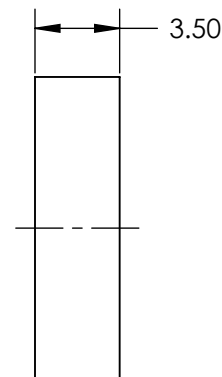
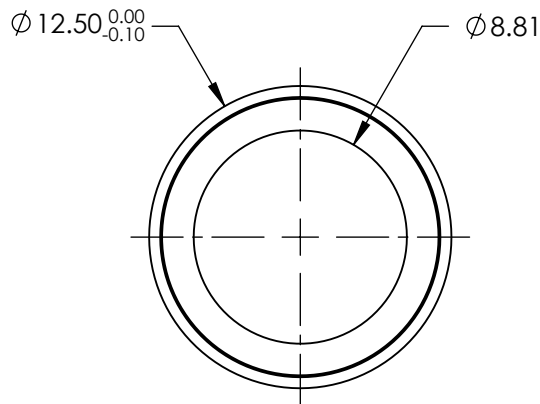
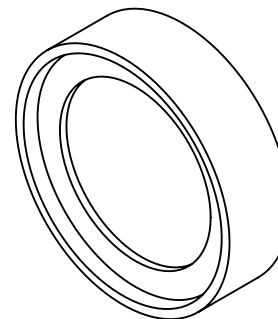


NOTES:

1. CONSTRUCTION: MOUNTED IN BLACK ANODIZED RING
2. COATING (APPLY ACROSS COATING APERTURE)

DURABILITY: MIL-C-48497A
 PERFORMANCE SPECIFICATIONS:
 CWL: 785
 FWHM: 39 NOMINAL
 REFLECTION %: >99.5
 TRANSMISSION %: 350 - 400nm: T(AVG) >80 ; 400 - 1200nm: T(AVG) >90

3. POWER, IRREGULARITY, AND SURFACE QUALITY SPECIFICATIONS APPLY ACROSS CLEAR APERTURE
4. TRANSMITTED WAVEFRONT DISTORTION RMS@ <1λ
5. ROHS COMPLIANT



**FOR INFORMATION ONLY:
 DO NOT MANUFACTURE
 PARTS TO THIS DRAWING**

SPECIFICATIONS SUBJECT TO CHANGE WITHOUT NOTICE
 DIMENSIONS ARE FOR REFERENCE ONLY



	S1	S2	THIRD ANGLE PROJECTION		TITLE	OD6, Ø12.5mm, 785nm, BLOCKING NOTCH FILTER	
SHAPE	PLANO	PLANO	ALL DIMS IN	mm	DWG NO	86122	
SURFACE QUALITY	60-40	60-40			SHEET 1 OF 1		
CLEAR APERTURE	Ø8.81	Ø8.81					