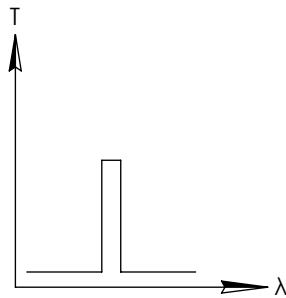
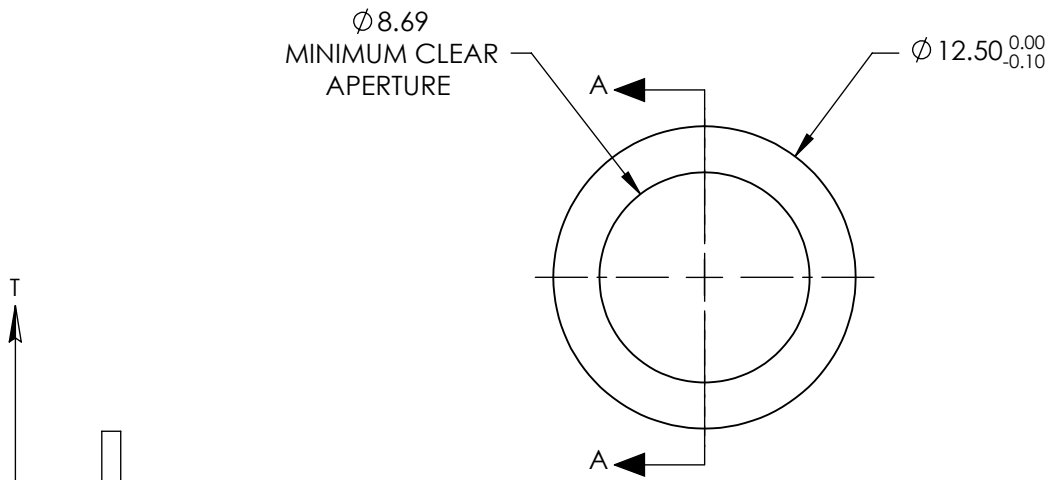


NOTES:

1. SUBSTRATE:  
FUSED SILICA MOUNTED IN BLACK ANODIZED ALUMINUM RING
2. TRANSMITTED WAVEFRONT ERROR:  $\lambda/4$
3. RoHS: COMPLIANT

FOR INFORMATION ONLY:  
DO NOT MANUFACTURE  
PARTS TO THIS DRAWING



BANDPASS FILTER

SECTION A-A

	VALUE
CENTER WAVELENGTH (CWL) (nm)	785 ± 2
MINIMUM BANDPATH (nm)	62
FULL WIDTH HALF MAX (FWHM) (nm)	71
MINIMUM TRANSMISSION (%)	>93
OD6 BLOCKING RANGE (nm)	450 - 738 & 830 - 1050
SURFACE QUALITY	60-40
COATING TYPE	HARD COATED
DURABILITY	MIL-C-48497A, SECT. 3.4.1
ENVIRONMENTAL	MIL-STD-801F, SECT. 507 .4

SPECIFICATIONS SUBJECT TO CHANGE WITHOUT NOTICE  
DIMENSIONS ARE FOR REFERENCE ONLY

 **Edmund Optics®**

THIRD ANGLE PROJECTION 

TITLE OD6, Ø12.5mm, 785nm x 62nm, BP  
FLUORESCENCE FILTER

ALL DIMS IN

mm

DWG NO

87745

SHEET  
1 OF 1