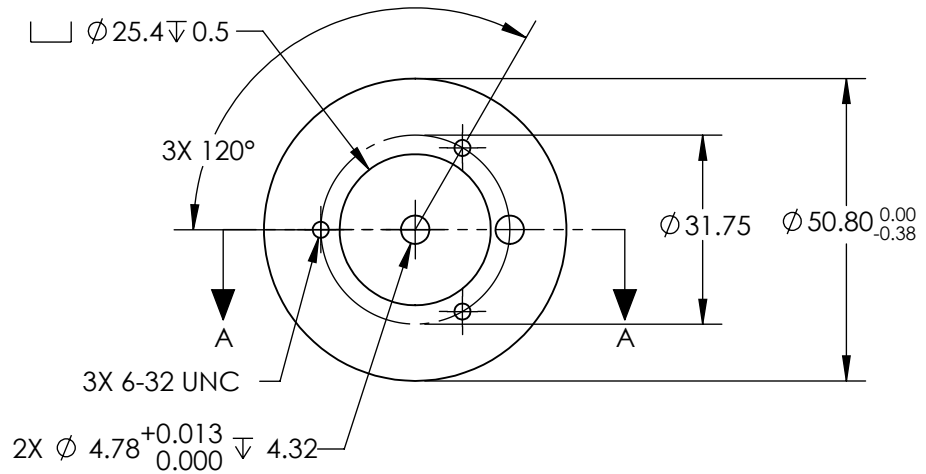
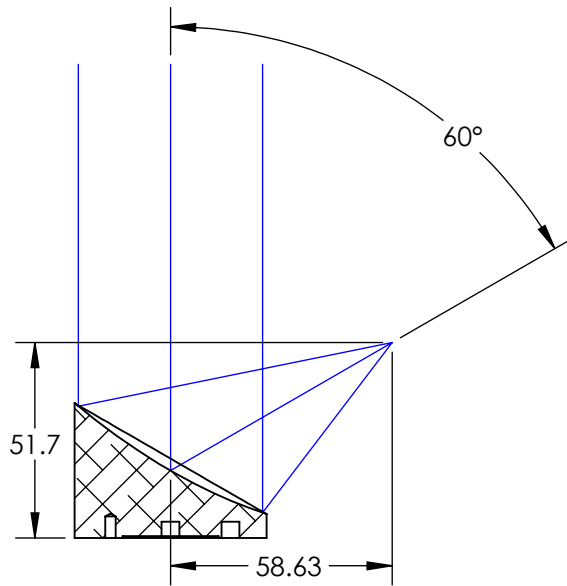
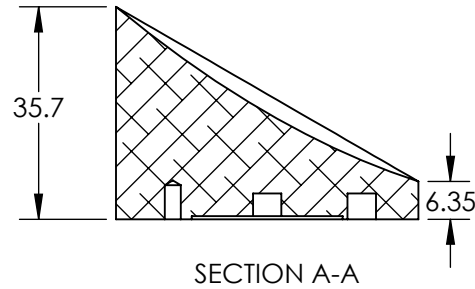
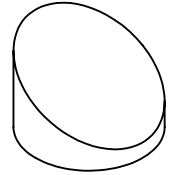


NOTES:

1. SUBSTRATE MATERIAL:
ALUMINUM
2. FINISH (EXCEPT SURFACE S1):
BLACK ANODIZED
3. COATING (APPLY ACROSS CLEAR APERTURE)
S1: PROTECTED GOLD
R(AVG) >94% @ 700 - 2000nm
R(AVG) >97% @ 2000 - 10000nm
- SURFACE ROUGHNESS: <175 Å RMS
4. FOCAL LENGTH TOLERANCE: ±1%
5. ROHS COMPLIANT

FOR INFORMATION ONLY:
DO NOT MANUFACTURE
PARTS TO THIS DRAWING



SPECIFICATIONS SUBJECT TO CHANGE WITHOUT NOTICE
DIMENSIONS ARE FOR REFERENCE ONLY

REV. A	S1
SHAPE	PARABOLIC
REFLECTIVE WAVEFRONT DISTORTION AT 632.8nm (RMS)	$\lambda/2$
SURFACE FIGURE AT 632.8nm (RMS)	$\lambda/4$
CLEAR APERTURE	90%
BEVEL	PROTECTIVE AS NEEDED

		Edmund Optics®	
		TITLE	Ø50.8 X 67.7mm EFL 60° OAP PROTECTED GOLD MIRROR 175Å
ALL DIMS IN	mm	DWG NO	69170
			SHEET 1 OF 1