

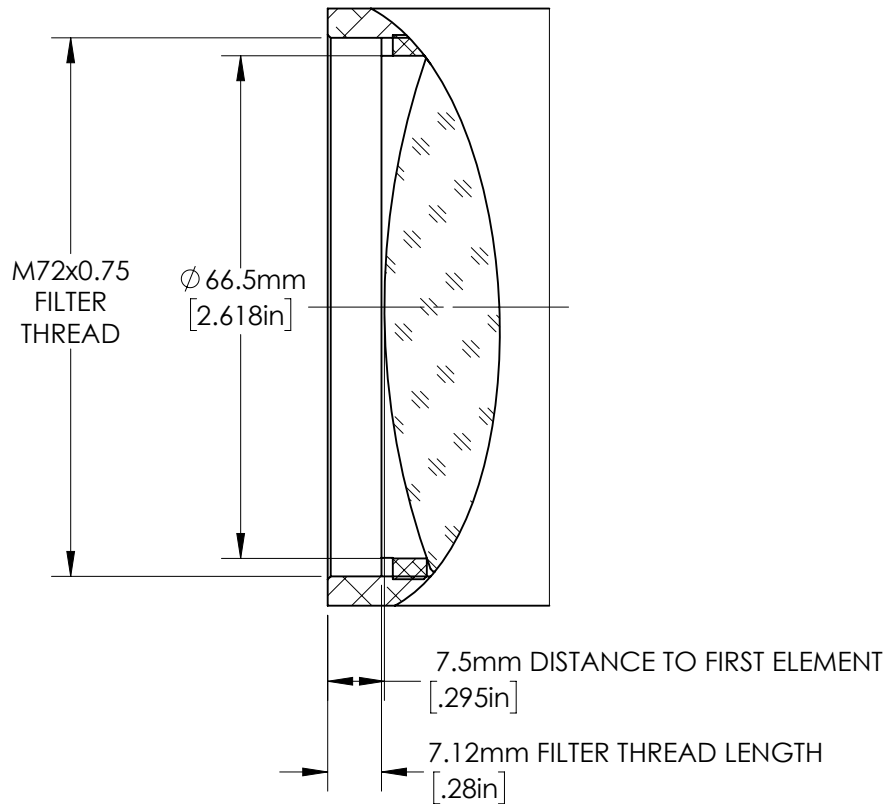
**FOR INFORMATION ONLY:
DO NOT MANUFACTURE
PARTS TO THIS DRAWING**

SPECIFICATIONS SUBJECT TO CHANGE WITHOUT NOTICE. DIMENSIONS ARE FOR REFERENCE ONLY. FOR DETAILED SPECIFICATIONS, PLEASE REFER TO THE SPEC SHEET.

Edmund Optics®

TITLE	0.151X, 1/1.8" C-Mount TitanTL® Telecentric Lens	
DWG NO	34000	SHEET 1 OF 2

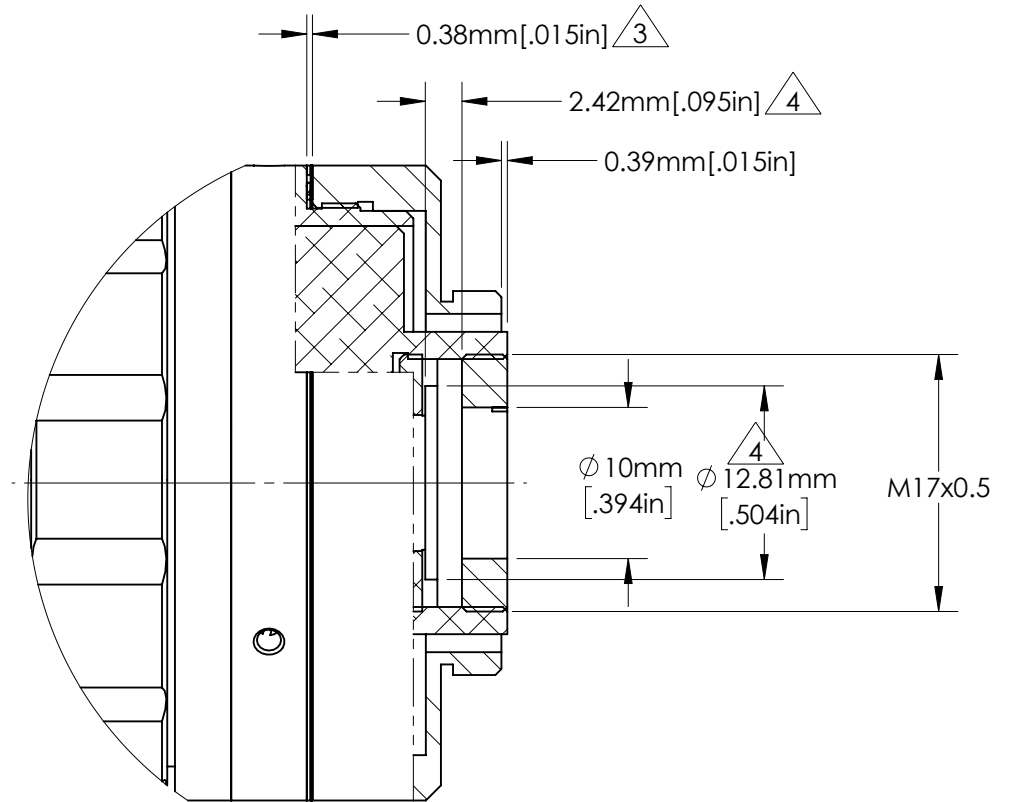
FOR INFORMATION ONLY:
DO NOT MANUFACTURE
PARTS TO THIS DRAWING



DETAIL B

NOTES:

- 1. INCLUDES OPTIONAL RECESSED SET SCREW.
- 2. M2 SET SCREWS ALLOW LENS TO ROTATE ABOUT C-MOUNT.
- 3. FACTORY INSTALLED SPACER(S).
- 4. SPACE FOR A SEPARATELY PURCHASED FILTER.



DETAIL A
 FILTER MOUNTING DETAILS

SPECIFICATIONS SUBJECT TO CHANGE WITHOUT NOTICE
 DIMENSIONS ARE FOR REFERENCE ONLY

EO® **Edmund Optics**®

TITLE	0.151X, 1/1.8" C-Mount TitanTL® Telecentric Lens	
DWG NO	34000	SHEET 2 OF 2

