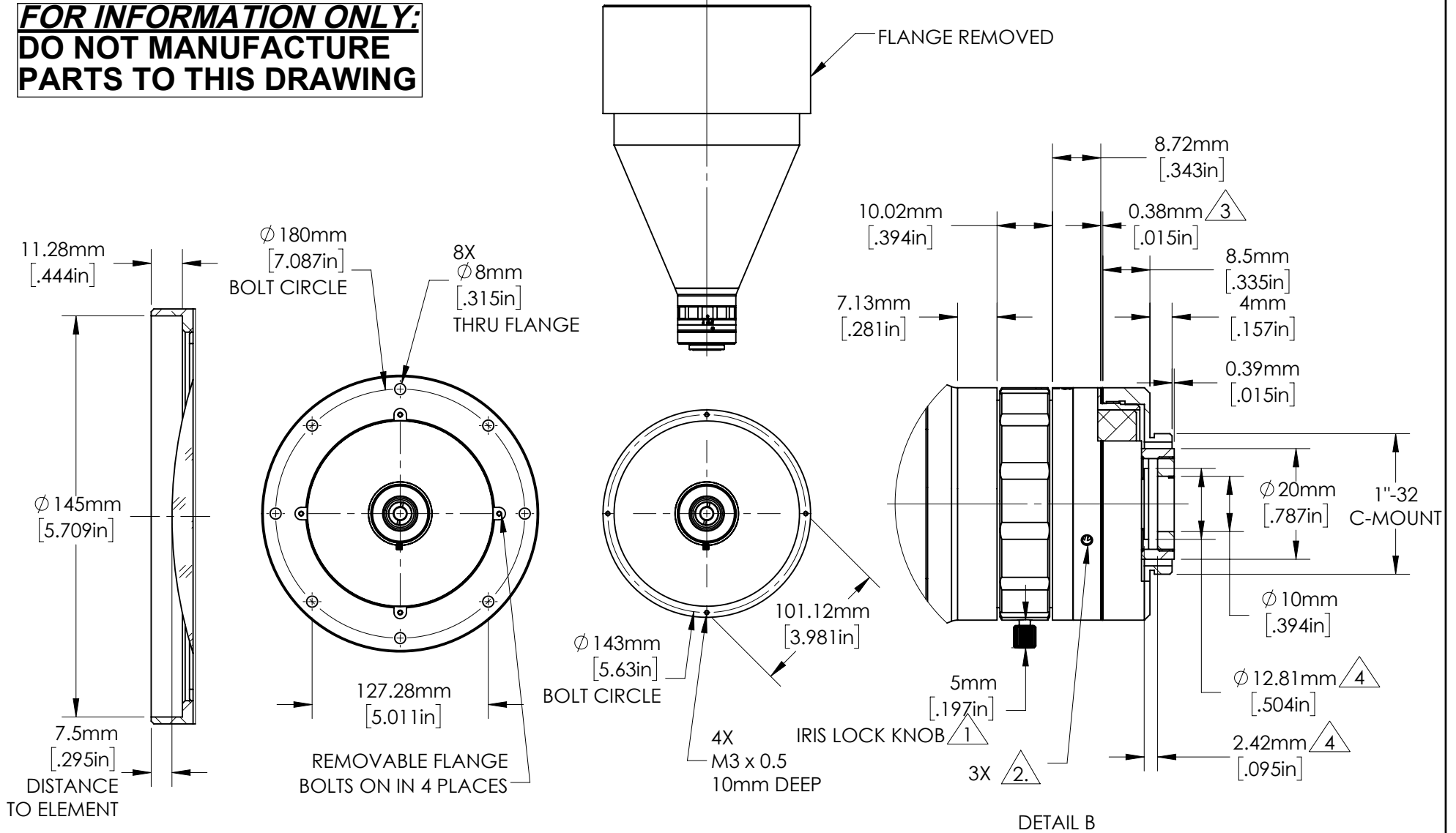


**FOR INFORMATION ONLY:**  
**DO NOT MANUFACTURE**  
**PARTS TO THIS DRAWING**

SPECIFICATIONS SUBJECT TO CHANGE WITHOUT NOTICE. DIMENSIONS ARE FOR REFERENCE ONLY. FOR DETAILED SPECIFICATIONS, PLEASE REFER TO THE SPEC SHEET.

 <b>Edmund Optics®</b>		
TITLE	0.077X, 1/1.8" C-Mount TitanTL™ Telecentric Lens	
DWG NO	34001	
		SHEET 1 OF 2

**FOR INFORMATION ONLY:  
DO NOT MANUFACTURE  
PARTS TO THIS DRAWING**



DETAIL A

DETAIL B

SPECIFICATIONS SUBJECT TO CHANGE WITHOUT NOTICE  
DIMENSIONS ARE FOR REFERENCE ONLY

NOTES:

- 1. INCLUDES OPTIONAL RECESSED SET SCREW.
- 2. M2 SET SCREWS ALLOW LENS TO ROTATE ABOUT C-MOUNT.
- 3. FACTORY INSTALLED SPACER(S).
- 4. SPACE FOR A SEPARATELY PURCHASED FILTER.

 <b>Edmund Optics®</b>		
TITLE	0.077X, 1/1.8" C-Mount TitanTL™ Telecentric Lens	
DWG NO	34001	SHEET 2 OF 2

