

FOR INFORMATION ONLY:
DO NOT MANUFACTURE
PARTS TO THIS DRAWING

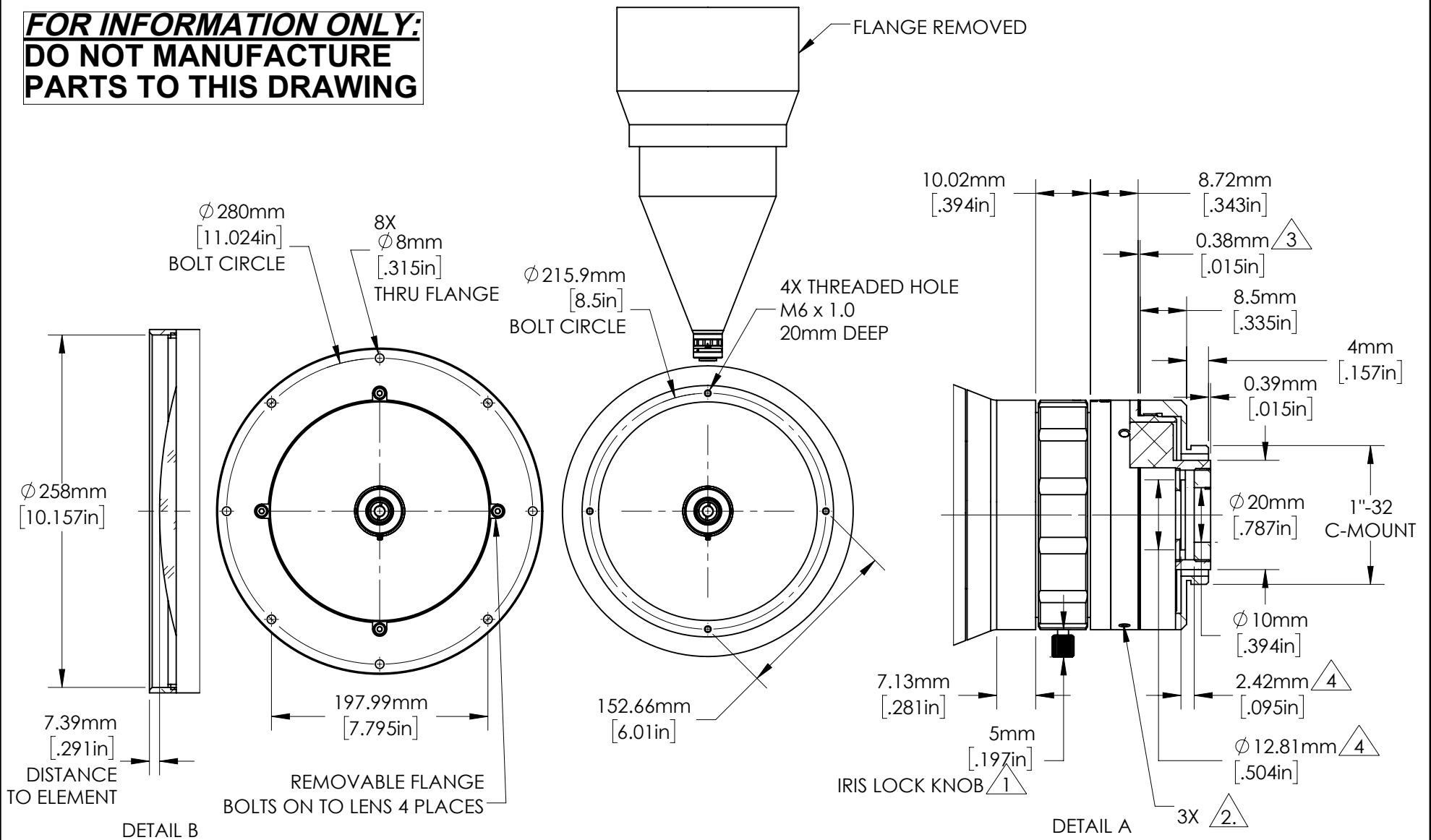
SPECIFICATIONS SUBJECT TO CHANGE
 WITHOUT NOTICE.
 DIMENSIONS ARE FOR REFERENCE ONLY.
 FOR DETAILED SPECIFICATIONS,
 PLEASE REFER TO THE SPEC SHEET.



Edmund Optics®

TITLE	0.037X, 1/1.8" C-Mount TitanTL™ Telecentric Lens	
DWG NO	34003	SHEET 1 OF 2

**FOR INFORMATION ONLY:
DO NOT MANUFACTURE
PARTS TO THIS DRAWING**



NOTES:

- $\triangle 1.$ INCLUDES OPTIONAL RECESSED SET SCREW.
- $\triangle 2.$ M2 SET SCREWS ALLOW LENS TO ROTATE ABOUT C-MOUNT.
- $\triangle 3.$ FACTORY INSTALLED SPACER(S).
- $\triangle 4.$ SPACE FOR A SEPARATELY PURCHASED FILTER.

SPECIFICATIONS SUBJECT TO CHANGE WITHOUT NOTICE
DIMENSIONS ARE FOR REFERENCE ONLY

Edmund Optics®

TITLE	0.037X, 1/1.8" C-Mount TitanTL™ Telecentric Lens	
DWG NO	34003	SHEET 2 OF 2

