

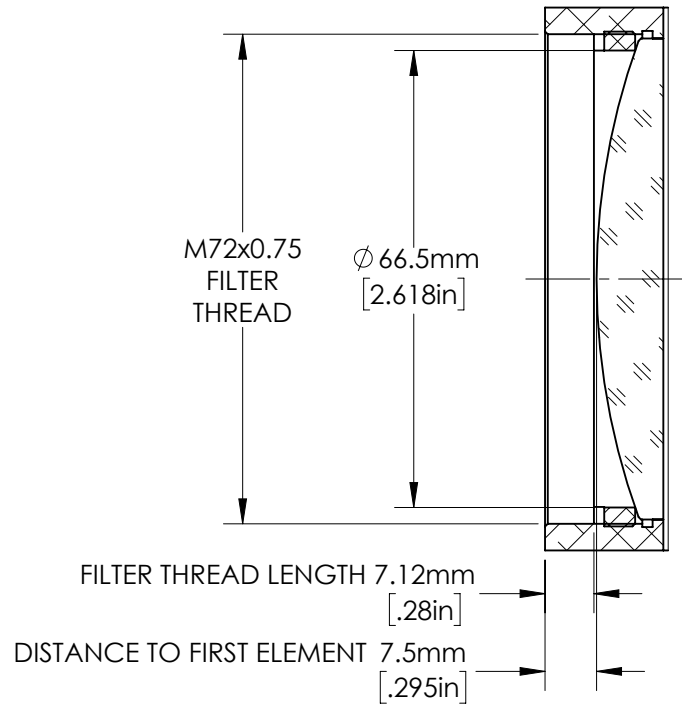
**FOR INFORMATION ONLY:
DO NOT MANUFACTURE
PARTS TO THIS DRAWING**

SPECIFICATIONS SUBJECT TO CHANGE WITHOUT NOTICE. DIMENSIONS ARE FOR REFERENCE ONLY. FOR DETAILED SPECIFICATIONS, PLEASE REFER TO THE SPEC SHEET.

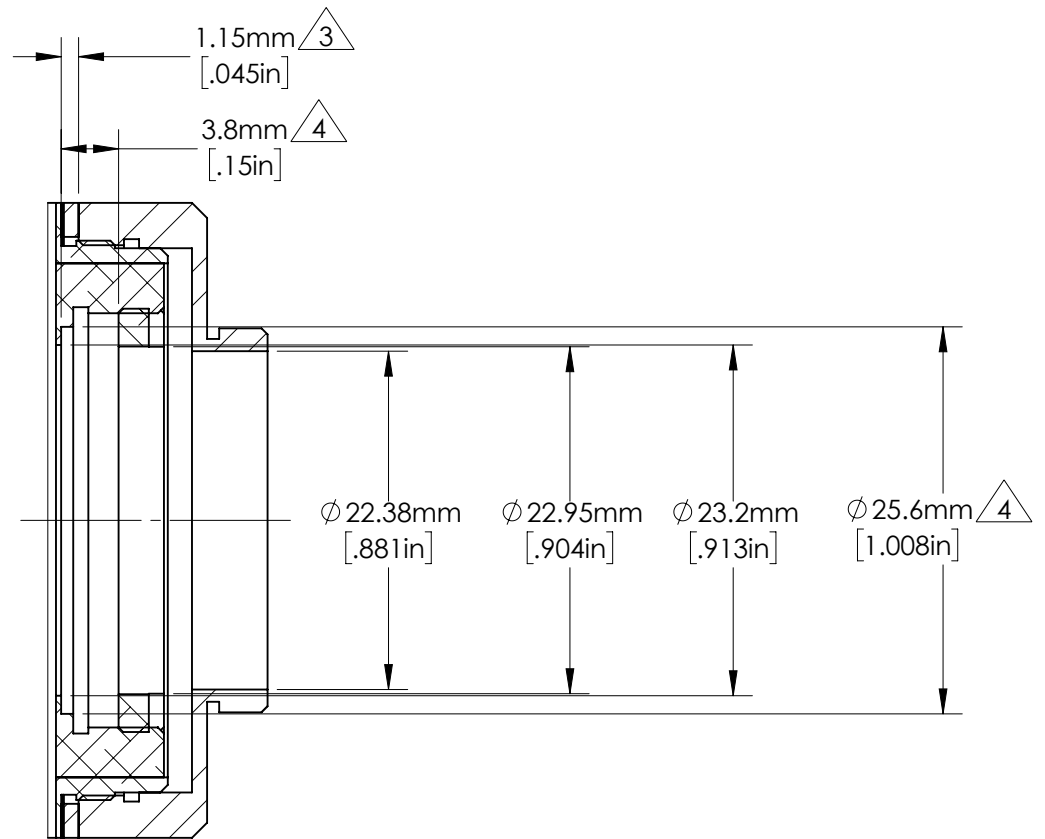
Edmund Optics®

TITLE	0.377X, 22.5mm C-Mount TitanTL™ Telecentric Lens	
DWG NO	34015	SHEET 1 OF 2

FOR INFORMATION ONLY:
DO NOT MANUFACTURE
PARTS TO THIS DRAWING



DETAIL A



DETAIL B

NOTES:

- ^{1.} INCLUDES OPTIONAL RECESSED SET SCREW.
- ^{2.} M2 SET SCREWS ALLOW LENS TO ROTATE ABOUT C-MOUNT.
- ^{3.} FACTORY INSTALLED SPACER(S).
- ^{4.} SPACE FOR A SEPARATELY PURCHASED FILTER.

SPECIFICATIONS SUBJECT TO CHANGE WITHOUT NOTICE
 DIMENSIONS ARE FOR REFERENCE ONLY

EO® **Edmund Optics**®

TITLE	0.377X, 22.5mm C-Mount TitanTL™ Telecentric Lens	
DWG NO	34015	SHEET 2 OF 2

