

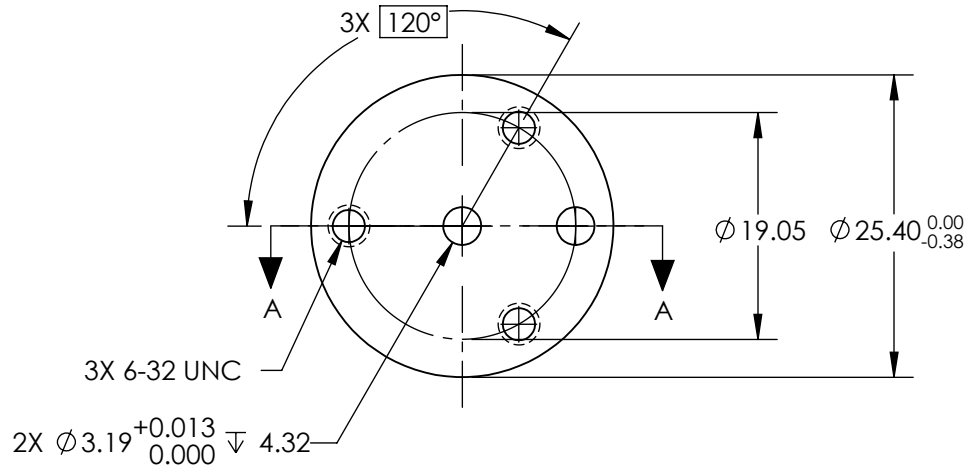
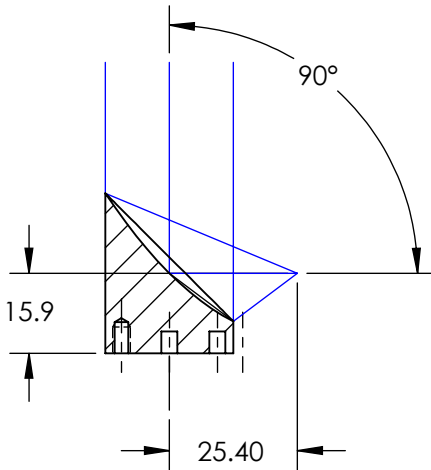
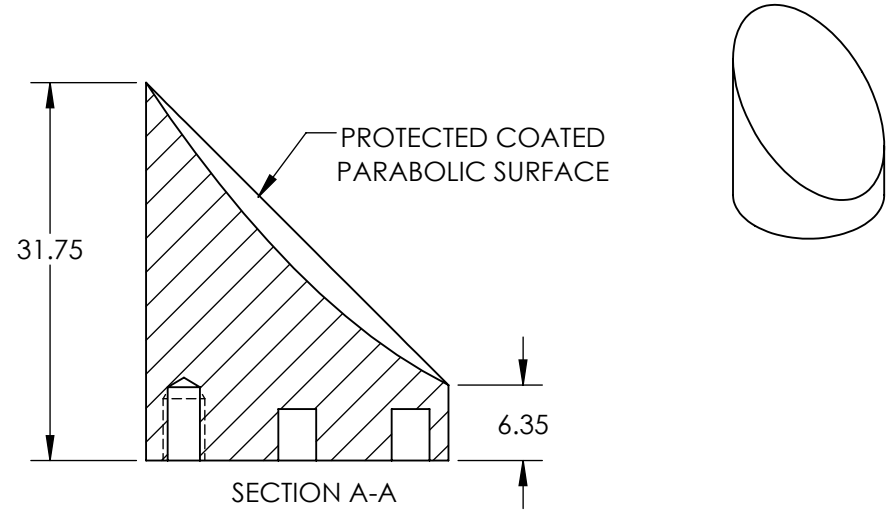
NOTES:

- SUBSTRATE MATERIAL:  
ALUMINUM
- FINISH (EXCEPT SURFACE S1):  
BLACK ANODIZED
- COATING (APPLY ACROSS CLEAR APERTURE)  
S1: PROTECTED GOLD  
R(AVG) >96% @ 700 - 2000nm  
R(AVG) >96% @ 2000 - 10000nm

SURFACE ROUGHNESS : <175 Å RMS

- FOCAL LENGTH TOLERANCE: ±1%
- ROHS COMPLIANT

**FOR INFORMATION ONLY:  
DO NOT MANUFACTURE  
PARTS TO THIS DRAWING**



SPECIFICATIONS SUBJECT TO CHANGE WITHOUT NOTICE  
DIMENSIONS ARE FOR REFERENCE ONLY

REV. A	S1
SHAPE	PARABOLIC
REFLECTIVE WAVEFRONT DISTORTION AT 632.8nm (RMS)	$\lambda/4$
SURFACE FIGURE AT 632.8nm (RMS)	$\lambda/8$
CLEAR APERTURE	90%
BEVEL	PROTECTIVE AS NEEDED

**EO**® Edmund Optics®

THIRD ANGLE PROJECTION	TITLE	Ø25.4 X 25.4mm EFL 90° OAP PROTECTED GOLD MIRROR 175Å	
ALL DIMS IN	mm	DWG NO	47096
			SHEET 1 OF 1