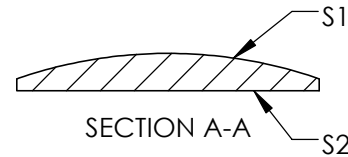
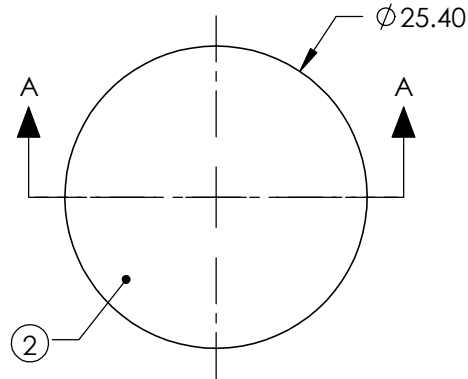
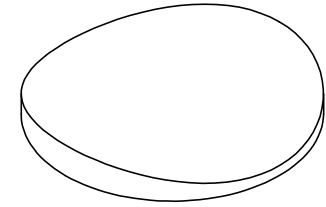


NOTES:

1. SUBSTRATE:
GRADE A FINE ANNEALED
- ② COATING (APPLY ACROSS COATING APERTURE)
R(AVG) ≤ 0.4% FROM 425-675nm @ 0° AOI
3. CENTERING TOLERANCE (AT 587.6nm):
PLANO AXIS WEDGE: < 5 ARCMIN
POWER AXIS WEDGE: < 5 ARCMIN
- △ 4. FINE GRIND SURFACE
5. POWER, IRREGULARITY, AND SURFACE QUALITY
SPECIFICATIONS APPLY ACROSS CLEAR APERTURE
6. FOCAL LENGHT (EFL): 75nm
BACK FOCAL LENGTH (BFL): 72.93nm
7. RoHS COMPLIANT



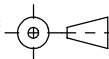
**FOR INFORMATION ONLY:
DO NOT MANUFACTURE
PARTS TO THIS DRAWING**

SPECIFICATIONS SUBJECT TO CHANGE WITHOUT NOTICE
DIMENSIONS ARE FOR REFERENCE ONLY

EO® Edmund Optics®

	S1	S2
SHAPE	CONVEX	PLANO
SURFACE QUALITY	40 - 20	40 - 20
CLEAR APERTURE	Ø22.86	Ø22.86
BEVEL	PROTECTIVE AS NEEDED	PROTECTIVE AS NEEDED

THIRD ANGLE PROJECTION



ALL DIMS IN

mm

TITLE

LENS PCX CYL Ø25.4 x 75 EFL VIS 0

DWG NO

34653

SHEET
1 OF 1