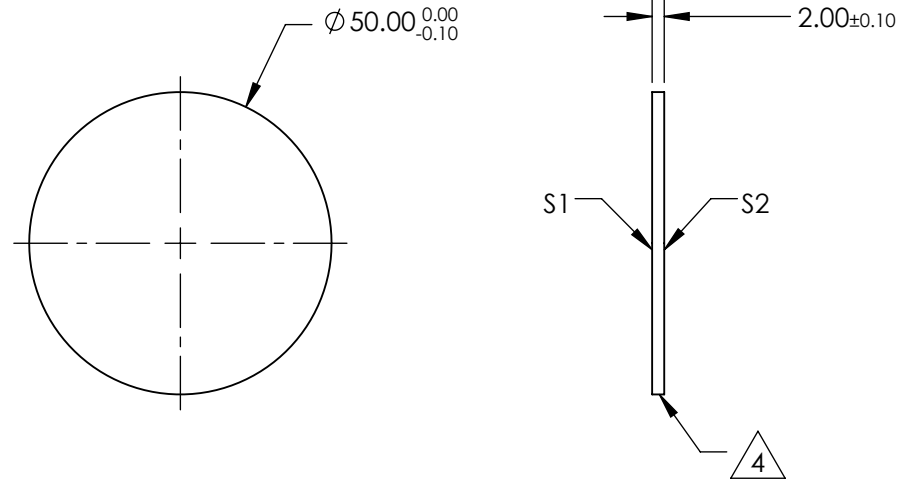
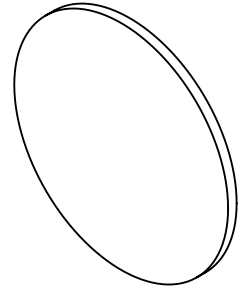


NOTES:

1. SUBSTRATE:
GERMANIUM (GE)
2. SURFACE S2 TO BE PARALLEL TO S1 WITHIN 1 ARCMIN
3. ANTI REFLECTION SURFACE TREATMENT (APPLY ACROSS CLEAR APERTURE)
S1 & S2: RAVG < 5.0% @ 3 - 12µm

△ 4. FINE GRIND SURFACE

5. RoHS COMPLIANT



**FOR INFORMATION ONLY:
DO NOT MANUFACTURE
PARTS TO THIS DRAWING**

SPECIFICATIONS SUBJECT TO CHANGE WITHOUT NOTICE
DIMENSIONS ARE FOR REFERENCE ONLY

	S1	S2
SHAPE	PLANO	PLANO
SURFACE QUALITY	60-40	60-40
SURFACE FLATNESS	$\lambda/10 @ 10.6\mu\text{m}$	$\lambda/10 @ 10.6\mu\text{m}$
BEVEL	PROTECTIVE AS NEEDED	PROTECTIVE AS NEEDED

THIRD ANGLE PROJECTION

ALL DIMS IN

mm

Edmund Optics®

TITLE

Ø50mm x 2mm THICK, 3 - 12µm AR COATED,
GE WINDOW

DWG NO

83352

SHEET
1 OF 1