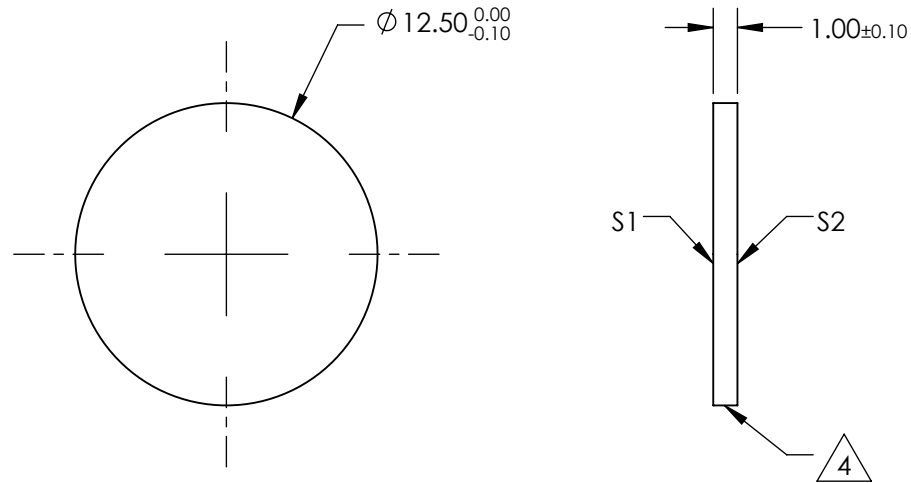
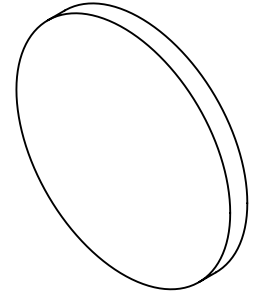


NOTES:

1. SUBSTRATE:
GERMANIUM (GE)
2. SURFACE S2 TO BE PARALLEL TO S1 WITHIN 1 ARCMIN
3. ANTI REFLECTION SURFACE TREATMENT (APPLY ACROSS CLEAR APERTURE)
S1 & S2: RAVG <3.0% @ 8 - 12µm

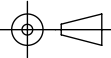

4. FINE GRIND SURFACE

5. RoHS COMPLIANT



**FOR INFORMATION ONLY:
DO NOT MANUFACTURE
PARTS TO THIS DRAWING**

SPECIFICATIONS SUBJECT TO CHANGE WITHOUT NOTICE
DIMENSIONS ARE FOR REFERENCE ONLY

	S1	S2					 Edmund Optics®	
SHAPE	PLANO	PLANO						
SURFACE QUALITY	60-40	60-40	ALL DIMS IN mm	TITLE	Ø12.5mm x 1mm THICK, 8 - 12µm AR COATED, GE WINDOW			
SURFACE FLATNESS	λ/10 @ 10.6µm	λ/10 @ 10.6µm						
BEVEL	PROTECTIVE AS NEEDED	PROTECTIVE AS NEEDED	DWG NO	83353	SHEET 1 OF 1			