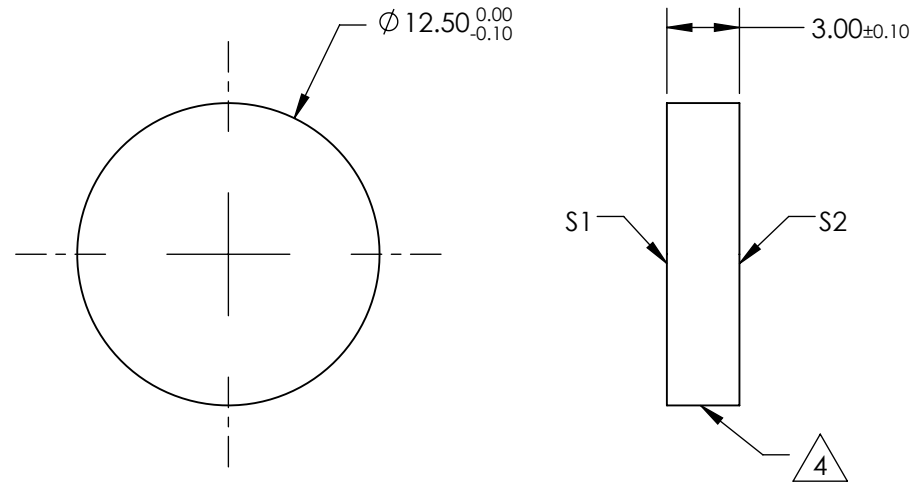
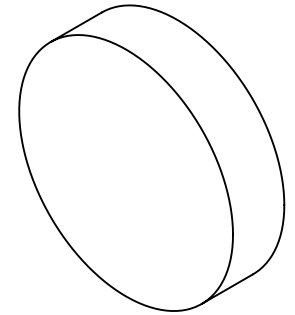


NOTES:

1. SUBSTRATE:
GERMANIUM (GE)
2. SURFACE S2 TO BE PARALLEL TO S1 WITHIN 1 ARCMIN
3. ANTI REFLECTION SURFACE TREATMENT (APPLY ACROSS CLEAR APERTURE)
S1 & S2: RAVG <3.0% @ 8 - 12µm


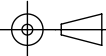
 4. FINE GRIND SURFACE

5. RoHS COMPLIANT



**FOR INFORMATION ONLY:
DO NOT MANUFACTURE
PARTS TO THIS DRAWING**

SPECIFICATIONS SUBJECT TO CHANGE WITHOUT NOTICE
DIMENSIONS ARE FOR REFERENCE ONLY

	S1	S2	 Edmund Optics®			
SHAPE	PLANO	PLANO				
SURFACE QUALITY	60-40	60-40	THIRD ANGLE PROJECTION 	TITLE	Ø12.5mm x 3mm THICK, 8 - 12µm AR COATED, GE WINDOW	
SURFACE FLATNESS	λ/10 @ 10.6µm	λ/10 @ 10.6µm		DWG NO	83354	SHEET 1 OF 1
BEVEL	PROTECTIVE AS NEEDED	PROTECTIVE AS NEEDED	ALL DIMS IN	mm		