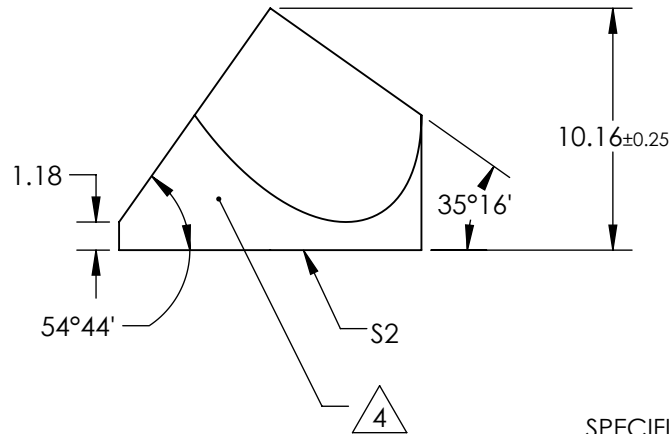
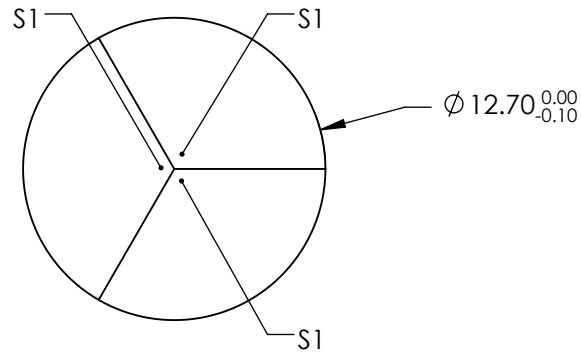
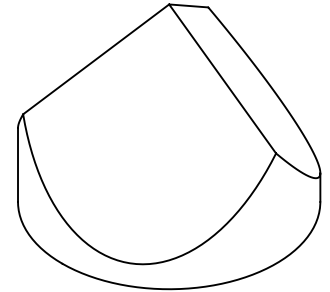


NOTES:

1. SUBSTRATE:
N-BK7
2. INCIDENT AND REFLECTED BEAMS SHALL BE PARALLEL TO WITHIN 5 ARCSEC
3. COATING (APPLY ACROSS COATING APERTURE)
S1: PROTECTED SILVER
R(AVG) >98% @ 500 - 800nm
R(AVG) >98% @ 2 - 10 μm W/BLACK OVERPAINT
S2: NONE

4. FINE GRIND SURFACE

5. ROHS: COMPLIANT



**FOR INFORMATION ONLY:
DO NOT MANUFACTURE
PARTS TO THIS DRAWING**

SPECIFICATIONS SUBJECT TO CHANGE WITHOUT NOTICE
DIMENSIONS ARE FOR REFERENCE ONLY

| | | | | | |
|------------------|---------------------|-------------|----|--------|---|
| REV A | S1 & S2 | | | | |
| SURFACE FLATNESS | $\lambda/8$ | | | TITLE | 12.7mm SILVER COATED, CORNER CUBE PRISM |
| SURFACE QUALITY | 60-40 | ALL DIMS IN | mm | DWG NO | 45202 |
| WAVELENGTH RANGE | 400 - 2200 nm | | | | SHEET 1 OF 1 |
| BEVEL | PROTECTED AS NEEDED | | | | |