

NOTES:

1. SUBSTRATE

FUSED SILICA

2. SURFACE S2 TO BE PARALLEL WITH S1 WITHIN < 3 ARCMIN

3. COATING (APPLY ACROSS CLEAR APERTURE)

S1: Laser Mirror (532nm)
 R(ABS) >99.8% @ 532nm @ 45° AOI
 R(AVG) >99.5% @ 523 - 537nm @ 45° AOI

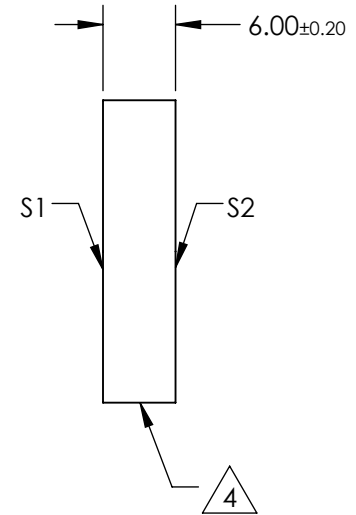
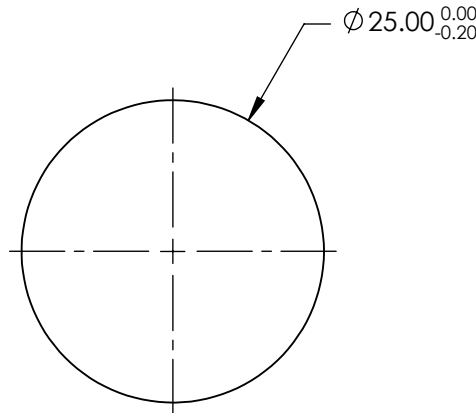
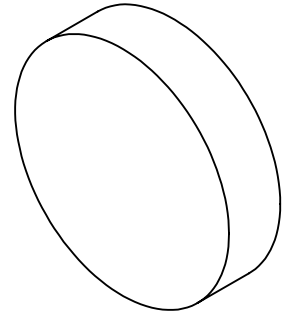
DAMAGE THRESHOLD,
 PULSED: 15 J/cm² @ 532nm, 20ns, 20Hz
 CW: 1MW/cm² @ 532nm

S2: NONE

4. FINE GROUND SURFACE

5. POWER, IRREGULARITY, SURFACE QUALITY, AND COATING SPECIFICATIONS APPLY ACROSS CLEAR APERTURE

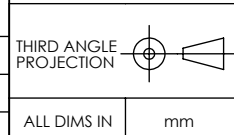
6. RoHS COMPLIANT



**FOR INFORMATION ONLY:
 DO NOT MANUFACTURE
 PARTS TO THIS DRAWING**

SPECIFICATIONS SUBJECT TO CHANGE WITHOUT NOTICE
 DIMENSIONS ARE FOR REFERENCE ONLY

	S1	S2
SHAPE	PLANO	PLANO
SURFACE FLATNESS	$\lambda/10$	N/A
SURFACE QUALITY	10-5	FINE GROUND
CLEAR APERTURE	Ø22.5	N/A
BEVEL	PROTECTIVE AS NEEDED	PROTECTIVE AS NEEDED



EO® Edmund Optics®

TITLE	Ø25mm, 532nm, 45°, ND:YAG LASER LINE MIRROR		
DWG NO	45991	SHEET	1 OF 1