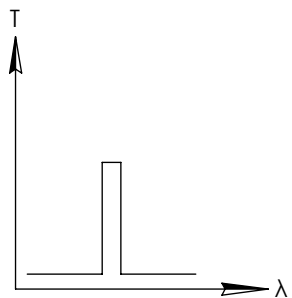
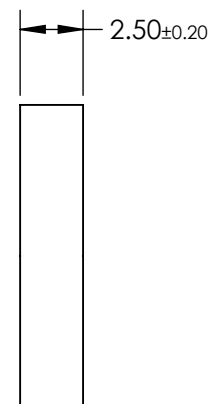
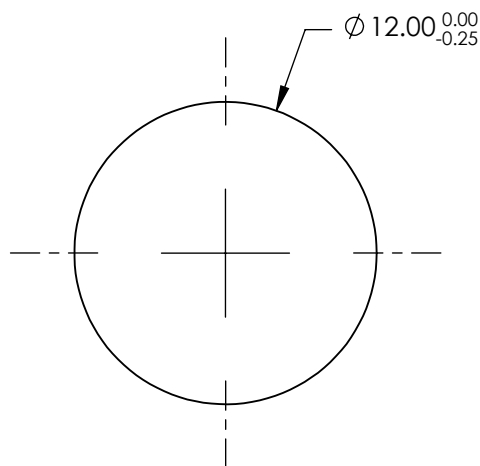
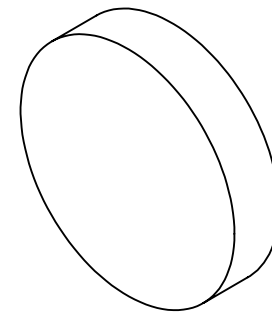


**FOR INFORMATION ONLY:
DO NOT MANUFACTURE
PARTS TO THIS DRAWING**



BANDPASS FILTER

SPECIFICATIONS SUBJECT TO CHANGE WITHOUT NOTICE
DIMENSIONS ARE FOR REFERENCE ONLY

	VALUE
SHAPE	PLANO
CENTER WAVELENGTH (nm)	830
FULL WIDTH HALF MAX (FWHM) (nm)	260
SURFACE QUALITY	60-40
COATING TYPE	Uncoated
BEVEL	PROTECTIVE AS NEEDED

EO® Edmund Optics®



ALL DIMS IN

mm

TITLE

HOYA RT-830 (IR) 12mm Dia., Colored Glass
Bandpass Filter

DWG NO

46082

SHEET
1 OF 1