

NOTES:

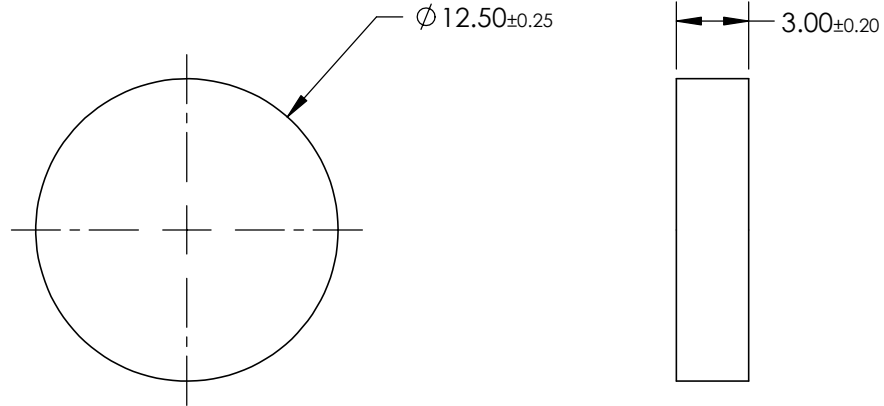
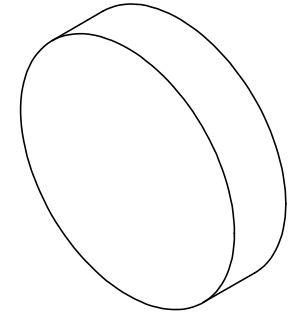
1. SUBSTRATE:
2. SURFACE S2 TO BE PARALLEL WITH S1 TO WITHIN <1 ARCMIN
3. COATING (APPLY ACROSS CLEAR APERTURE)
 PERFORMANCE SPECIFICATIONS:
 R(ABS) = 50% @ 510nm; R(AVG) > 98% @ 400 - 475nm
 S1: MULTI-LAYER DICHOIC
 S2: SINGLE LAYER MgF2

4.  FINE GRIND SURFACE

5. POWER, IRREGULARITY, AND SURFACE QUALITY
 SPECIFICATIONS APPLY ACROSS CLEAR APERTURE

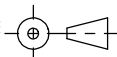
6. ROHS COMPLIANT

**FOR INFORMATION ONLY:
 DO NOT MANUFACTURE
 PARTS TO THIS DRAWING**



SPECIFICATIONS SUBJECT TO CHANGE WITHOUT NOTICE
 DIMENSIONS ARE FOR REFERENCE ONLY

	S1	S2
SHAPE	PLANO	PLANO
CUT-OFF WAVELENGTH	510nm	510nm
SURFACE QUALITY	60-40	60-40
SURFACE FLATNESS	$\lambda/4$	$\lambda/4$
COATING TYPE	TRADITIONAL COATED	TRADITIONAL COATED
BEVEL	PROTECTED AS NEEDED	PROTECTED AS NEEDED

THIRD ANGLE PROJECTION 

ALL DIMS IN mm

 **Edmund Optics®**

TITLE: $\varnothing 12.5\text{mm}$, 45° BLUE DICHOIC FILTER

DWG NO: 47264

SHEET 1 OF 1