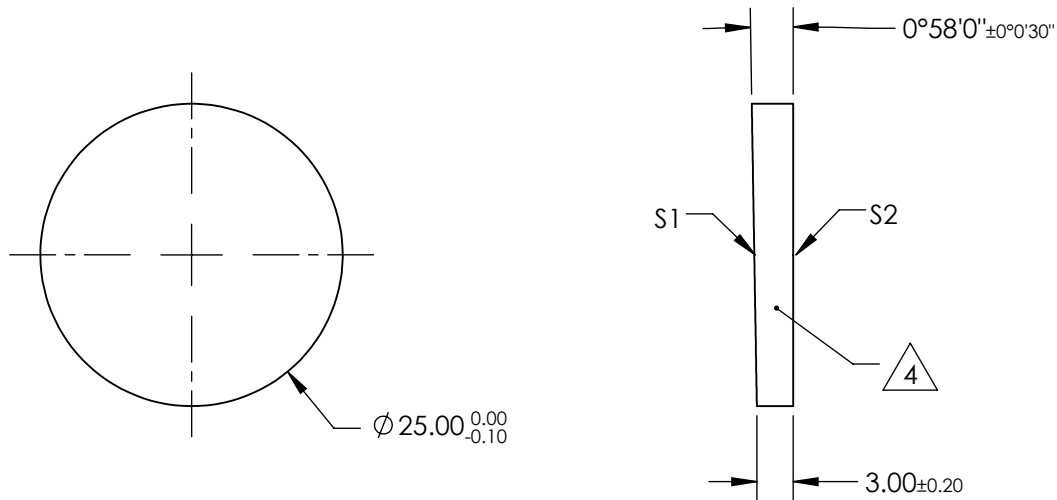


NOTES:

1. SUBSTRATE MATERIAL: N-BK7
2. ONLY ROHS-COMPLIANT MATERIALS ARE ACCEPTABLE.
DO NOT SUBSTITUTE WITH ROHS EXEMPT OR NON-COMPLIANT MATERIALS
3. COATING (APPLY ACROSS CLEAR APERTURE)
S1 & S2 : UNCOATED
4. FINE GRIND SURFACE
5. POWER, IRREGULARITY, AND SURFACE QUALITY SPECIFICATIONS APPLY ACROSS CLEAR APERTURE
6. CHIPS OUTSIDE OF CLEAR APERTURE: <0.5
7. CLEAR APERTURE AND COATING APERTURE ARE CENTERED ON SURFACES



**FOR INFORMATION ONLY:
DO NOT MANUFACTURE
PARTS TO THIS DRAWING**

REV. A	S1 & S2
SHAPE	PLANO
POWER (DIOPTERS)	0.87
ANGLE TOL. (ARCSEC)	±30
SURFACE QUALITY	60-40
SURFACE FLATNESS	λ/10
WAVELENGTH RANGE (nm)	350 - 2200
CLEAR APERTURE	Ø22.50
IMAGE ORIENTATION	BEAM DEVIATION
BEVEL	PROTECTIVE AS NEEDED

SPECIFICATIONS SUBJECT TO CHANGE WITHOUT NOTICE
DIMENSIONS ARE FOR REFERENCE ONLY

EO® Edmund Optics®



ALL DIMS IN

mm

TITLE

0.5° NOM. UNCOATED, WEDGE PRISM

DWG NO

49436

SHEET
1 OF 1