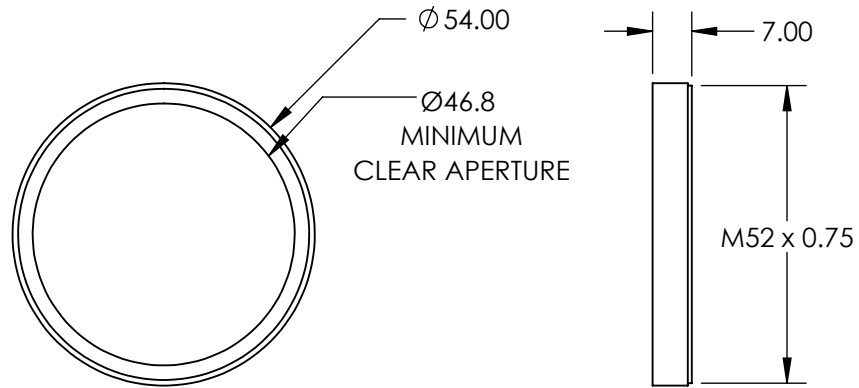
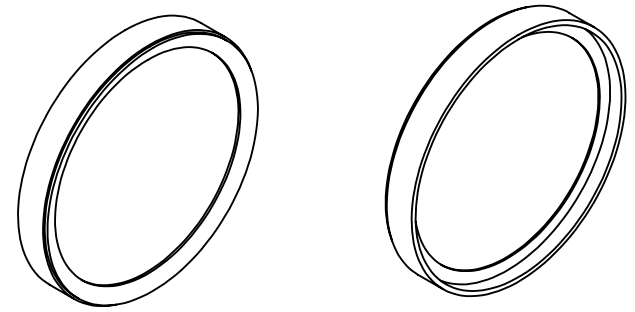


**FOR INFORMATION ONLY:
DO NOT MANUFACTURE
PARTS TO THIS DRAWING**



SPECIFICATIONS SUBJECT TO CHANGE WITHOUT NOTICE
DIMENSIONS ARE FOR REFERENCE ONLY



| REV. A | VALUE |
|--------------------|--------|
| CUT-ON WAVELENGTH | N/A |
| CUT-OFF WAVELENGTH | <750nm |
| SURFACE QUALITY | 60-40 |



ALL DIMS IN mm

| | |
|--------------|--------------------------------------|
| TITLE | M52 X 0.75 MOUNTED IR CUT-OFF FILTER |
| DWG NO | 54746 |
| SHEET 1 OF 1 | |