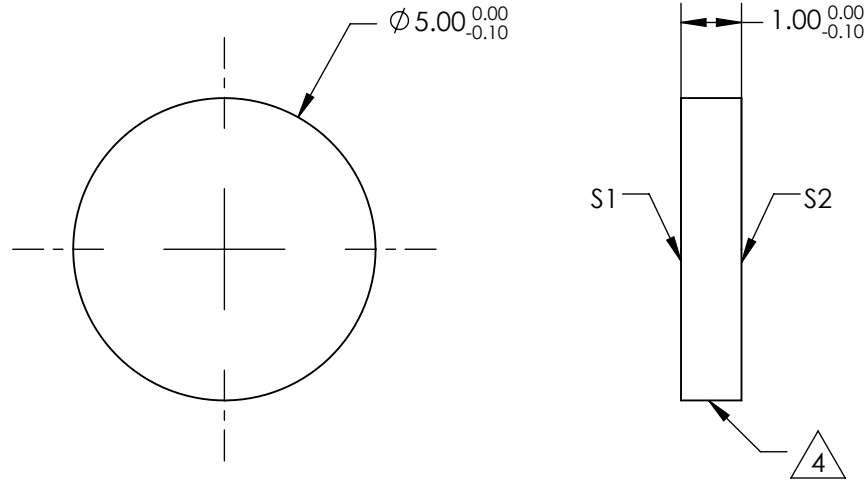
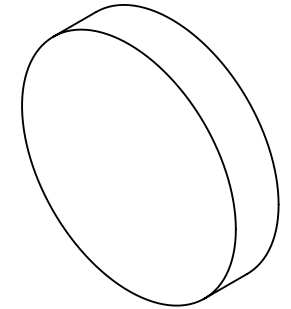


NOTES:

1. SUBSTRATE:  
BARIUM FLUORIDE (BAF<sup>2</sup>)
2. SURFACE S2 TO BE PARALLEL TO S1 WITHIN 3 ARCMIN
3. COATING (APPLY ACROSS CLEAR APERTURE)  
S1 & S2: NONE

4. FINE GRIND SURFACE

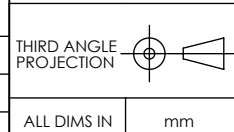
5. RoHS COMPLIANT



**FOR INFORMATION ONLY:  
DO NOT MANUFACTURE  
PARTS TO THIS DRAWING**

SPECIFICATIONS SUBJECT TO CHANGE WITHOUT NOTICE  
DIMENSIONS ARE FOR REFERENCE ONLY

	S1	S2
SHAPE	PLANO	PLANO
SURFACE QUALITY	80-50	80-50
CLEAR APERTURE	90%	90%
BEVEL	PROTECTIVE AS NEEDED	PROTECTIVE AS NEEDED



**EO**® Edmund Optics®

TITLE	Ø5mm x 1mm THICK, BARIUM FLUORIDE WINDOW	
DWG NO	87699	SHEET 1 OF 1