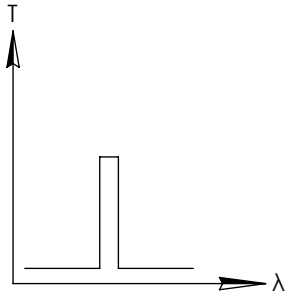
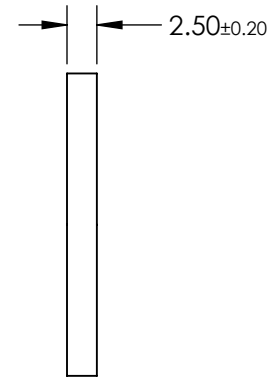
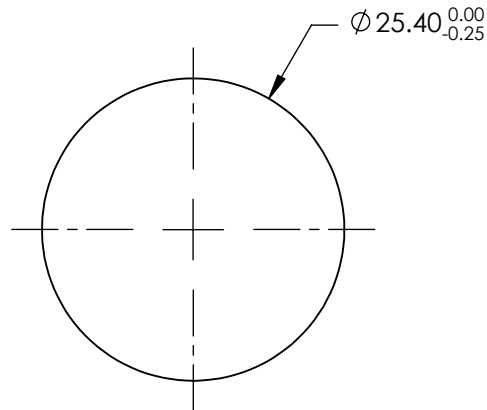
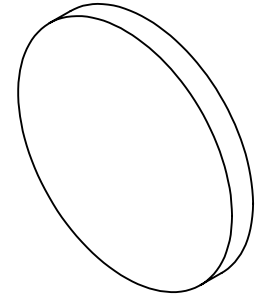


**FOR INFORMATION ONLY:
DO NOT MANUFACTURE
PARTS TO THIS DRAWING**



BANDPASS FILTER

SPECIFICATIONS SUBJECT TO CHANGE WITHOUT NOTICE
DIMENSIONS ARE FOR REFERENCE ONLY

	VALUE
SHAPE	PLANO
CENTER WAVELENGTH (nm)	410
FULL WIDTH HALF MAX (FWHM) (nm)	232
SURFACE QUALITY	80-50
COATING TYPE	Uncoated
BEVEL	PROTECTIVE AS NEEDED

EO® Edmund Optics®



THIRD ANGLE
PROJECTION

TITLE

HOYA B-410 (UV-VIS) 25.4mm Dia., Colored Glass
Bandpass Filter

ALL DIMS IN

mm

DWG NO

34433

SHEET
1 OF 1