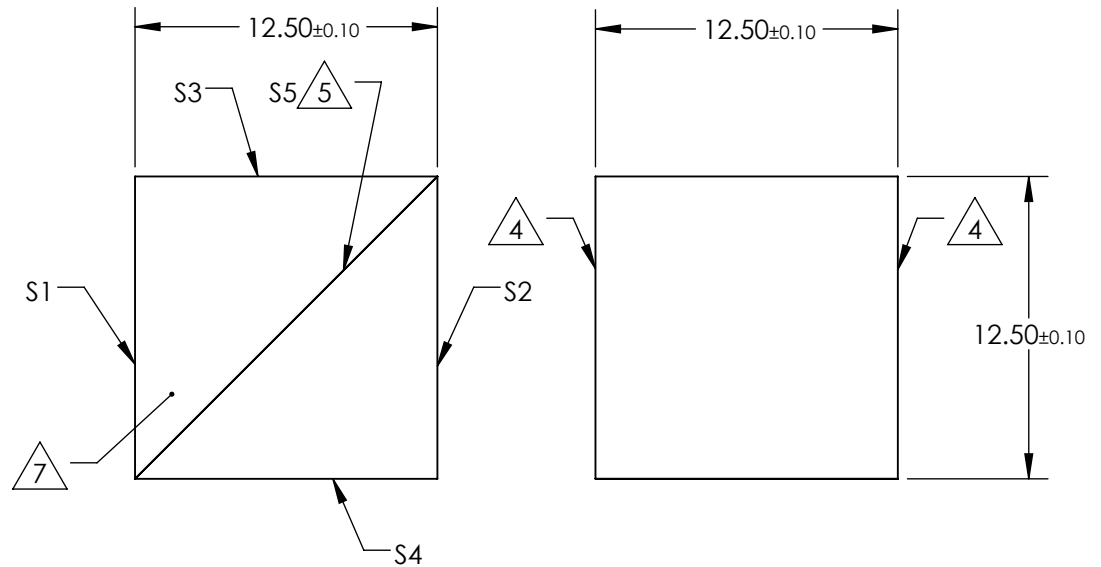


NOTES:

1. SUBSTRATE MATERIAL:
N-BK7
2. BEAM DEVIATION: ± 3 arcmin
3. COATING (APPLY ACROSS CLEAR APERTURE)


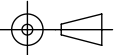
S1, S2, S3 & S4: R(abs) < 0.25% @ 488nm
 S5: Tp/Ts > 1000:1 @ 488nm
 TRANSMISSION > 95%
 REFLECTION > 99.5%

- 4. FINE GROUND SURFACE
- 5. ELEMENTS TO BE CEMENTED WITH NORLAND OPTICAL ADHESIVE 61
- 6. PROTECTIVE BEVEL AS NEEDED
- 7. MARK IDENTIFIES BEAMSPLITTER COATING RIGHT ANGLE PRISM



**FOR INFORMATION ONLY:
 DO NOT MANUFACTURE
 PARTS TO THIS DRAWING**

SPECIFICATIONS SUBJECT TO CHANGE WITHOUT NOTICE
 DIMENSIONS ARE FOR REFERENCE ONLY

	S1, S2, S3, S4	S5					
SHAPE	PLANO	PLANO					
SURFACE FLATNESS	$\lambda/4$	$\lambda/4$	THIRD ANGLE PROJECTION 	TITLE	12.5mm, 488nm, LASER LINE POLARIZING CUBE BEAMSPLITTER		
SURFACE QUALITY	40-20	40-20		ALL DIMS IN	mm	DWG NO	48873
CLEAR APERTURE	90	90					