

NOTES:

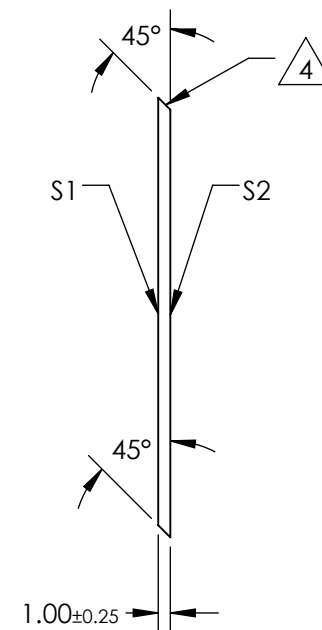
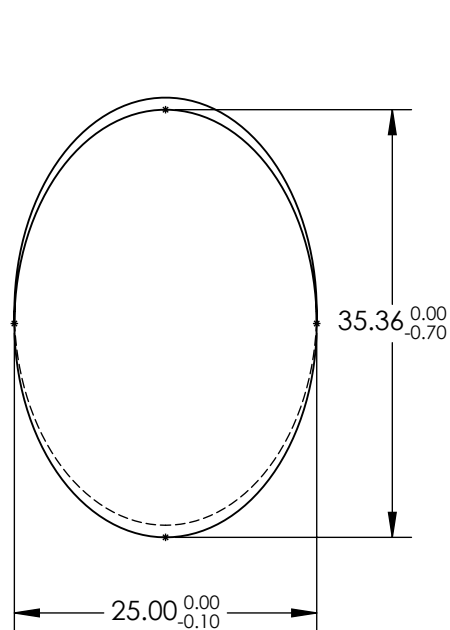
1. SUBSTRATE MATERIAL:
N-BK7
2. P1 PARALLEL TO P2 <1 ARCMIN
3. COATING (APPLY ACROSS CLEAR APERTURE)

S1: R(avg)= 50% ± 10% @ 400 - 700nm
 R(abs)= 50% ± 5% @ 550nm
 T(avg)= 50% ± 10% @ 400 - 700nm
 T(abs)= 50% ± 5% @ 550nm

S2: R(avg) ≤1.0% @ 400 - 700nm
 R(abs) ≤2.0% @ 400 - 700nm

 EDGES CUT

5. ROHS COMPLIANT

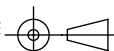


**FOR INFORMATION ONLY:
 DO NOT MANUFACTURE
 PARTS TO THIS DRAWING**

SPECIFICATIONS SUBJECT TO CHANGE WITHOUT NOTICE
 DIMENSIONS ARE FOR REFERENCE ONLY

REV. A	S1	S2
SHAPE	PLANO	PLANO
SURFACE QUALITY	60-40	60-40
SURFACE FLATNESS	<1λ	<1λ
BEVEL	PROTECTIVE AS NEEDED	PROTECTIVE AS NEEDED

THIRD ANGLE PROJECTION



ALL DIMS IN

mm

 **Edmund Optics®**

TITLE

25 x 35.36 x 1mm, VIS, ELLIPTICAL PLATE
 BEAMSPLITTER

DWG NO

48915

SHEET
 1 OF 1