

NOTES:

1. SUBSTRATE MATERIAL:  
FUSED SILICA

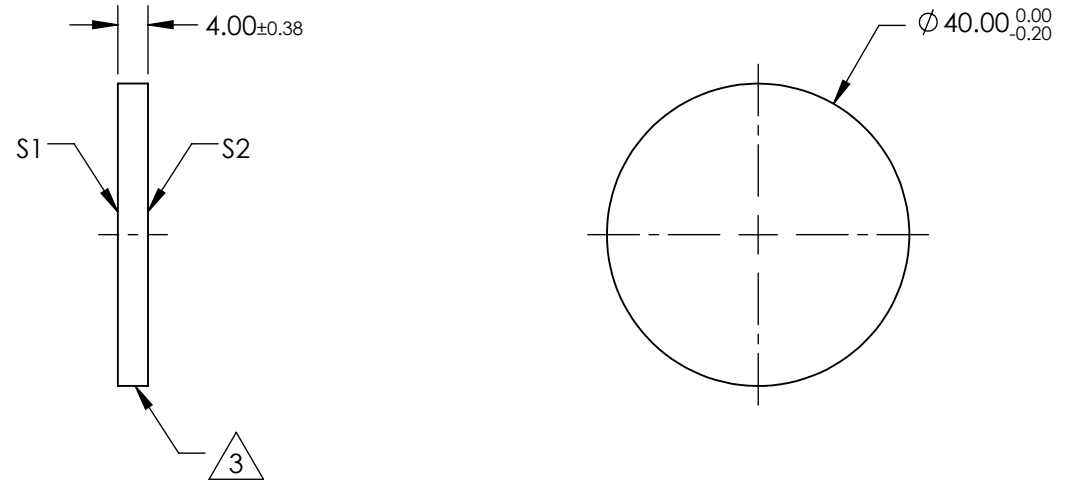
2. COATING (APPLY ACROSS CLEAR APERTURE)

S1: R(abs)= 70% ±5% @ 350nm  
R(avg)= 70% ±10% OVER 250 - 450nm  
T(abs)= 30% ±5% @ 350nm  
T(avg)= 30% ±10% OVER 250 - 450nm

S2: BBAR (R(avg) <1%, R(abs) <2% OVER 250 - 450nm)

3. EDGES FINE GROUND

4. ROHS COMPLIANT



**FOR INFORMATION ONLY:  
DO NOT MANUFACTURE  
PARTS TO THIS DRAWING**

SPECIFICATIONS SUBJECT TO CHANGE WITHOUT NOTICE  
DIMENSIONS ARE FOR REFERENCE ONLY

REV. A	S1	S2
SHAPE	PLANO	PLANO
CLEAR APERTURE	Ø34.00	Ø34.00
SURFACE QUALITY	60-40	60-40
SURFACE FLATNESS	1λ	1λ
BEVEL	PROTECTED AS NEEDED	PROTECTED AS NEEDED

THIRD ANGLE PROJECTION

ALL DIMS IN

mm

**EO**® Edmund Optics®

TITLE

Ø40mm, 70R/30T, UV PLATE BEAMSPLITTER

DWG NO

84490

SHEET  
1 OF 1