

NOTES:

1. SUBSTRATE MATERIAL:
BOROFLOAT®

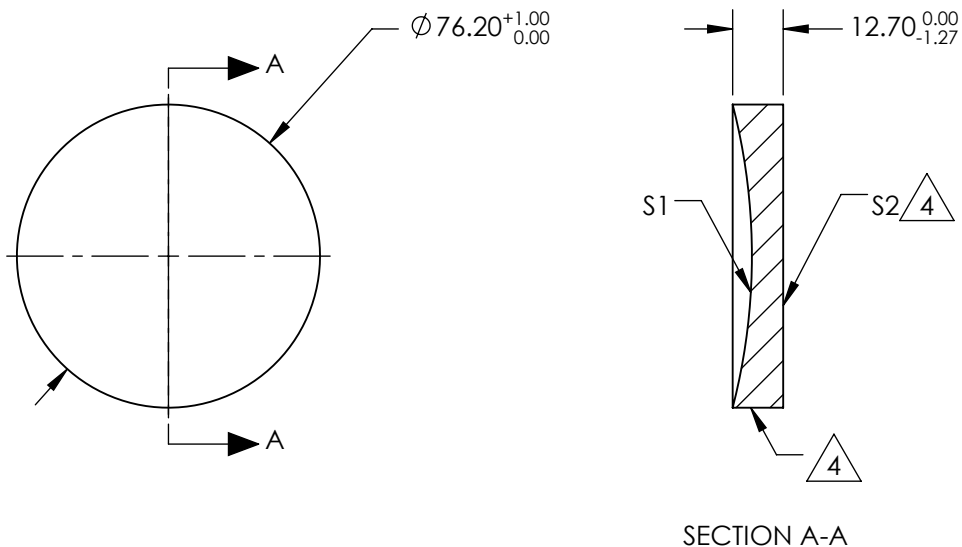
2. COATING (APPLY ACROSS CLEAR APERTURE)

S1: NONE
S2: NONE

3. POWER, IRREGULARITY, SURFACE QUALITY, AND COATING
SPECIFICATIONS APPLY ACROSS CLEAR APERTURE

△ FINE GROUND SURFACE

5. ROHS COMPLIANT



**FOR INFORMATION ONLY:
DO NOT MANUFACTURE
PARTS TO THIS DRAWING**

SPECIFICATIONS SUBJECT TO CHANGE WITHOUT NOTICE
DIMENSIONS ARE FOR REFERENCE ONLY

REV. A	S1	S2
SHAPE	CONCAVE	PLANO
EFFECTIVE FOCAL LENGTH	76.2mm	N/A
FOCAL LENGTH TOLERANCE	±2%	N/A
APERTURE	f/1	N/A
SURFACE QUALITY	60-40	60-40
SURFACE FLATNESS	λ/4	λ/4
BEVEL	PROTECTIVE AS NEEDED	PROTECTIVE AS NEEDED

THIRD ANGLE PROJECTION

ALL DIMS IN mm

TITLE	3" Dia, 3" FL Uncoated, Spherical Mirror
DWG NO	32823
SHEET	1 OF 1