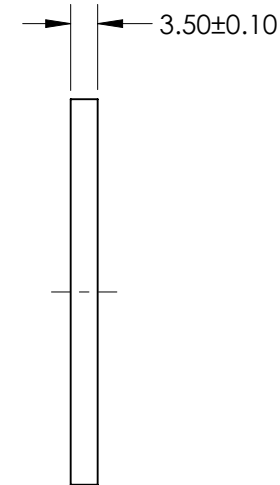
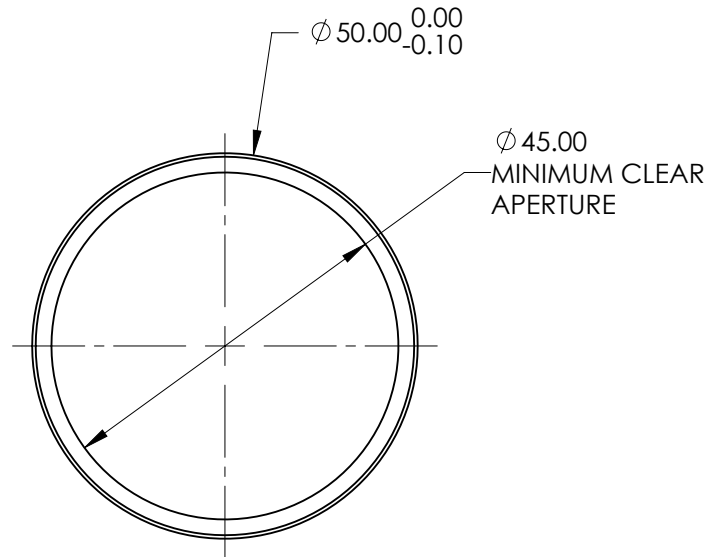
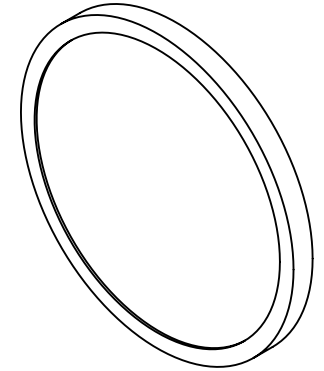
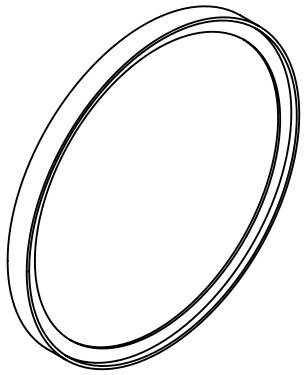



**FOR INFORMATION ONLY:  
DO NOT MANUFACTURE  
PARTS TO THIS DRAWING**



SPECIFICATION	VALUE
CENTER WAVELENGTH (CWL)	386nm
FULL WIDTH-HALF MAX (FWHM)	27nm
TRANSMISSION	90%
BLOCKING	250 - 1100nm
SURFACE QUALITY	60-40
MOUNT	Black Anodized Aluminum
COATING TYPE	Hard Coated
TRANSMITTED WAVEFRONT (RMS)	$\lambda/4$
ANGLE OF INCIDENCE (DEG)	0
SUBSTRATE	Fused Silica

SPECIFICATIONS SUBJECT TO CHANGE WITHOUT NOTICE  
DIMENSIONS ARE FOR REFERENCE ONLY

EFL (AT 587.6nm)	NA	 <b>Edmund Optics®</b>	
BFL (AT 587.6nm)	NA	TITLE	386nm CWL, 50mm Dia, 23nm Bandwidth, OD 6 Fluorescence Filter
ALL DIMS IN	mm	DWG NO	33322
			SHEET 1 OF 1