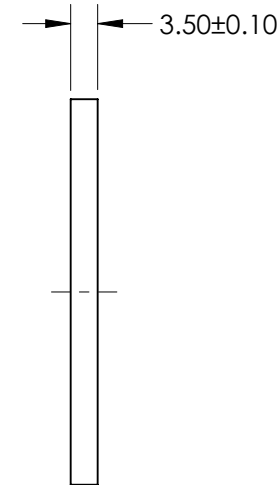
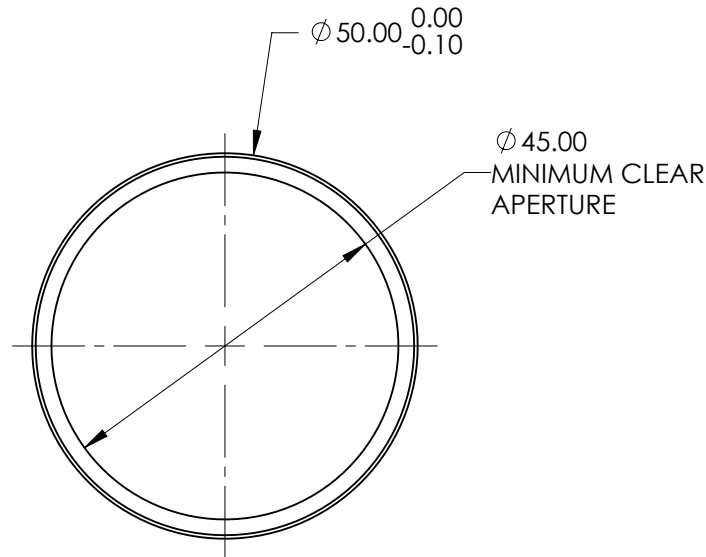
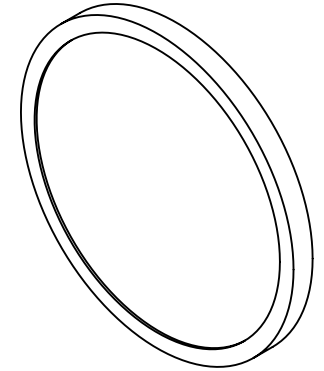
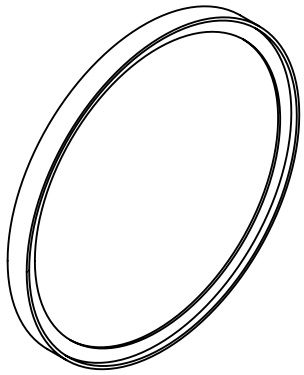



**FOR INFORMATION ONLY:
DO NOT MANUFACTURE
PARTS TO THIS DRAWING**



SPECIFICATION	VALUE
CENTER WAVELENGTH (CWL)	550nm
FULL WIDTH-HALF MAX (FWHM)	100nm
TRANSMISSION	93%
BLOCKING	250 - 1100nm
SURFACE QUALITY	60-40
MOUNT	Black Anodized Aluminum
COATING TYPE	Hard Coated
TRANSMITTED WAVEFRONT (RMS)	$\lambda/4$
ANGLE OF INCIDENCE (DEG)	0
SUBSTRATE	Fused Silica

SPECIFICATIONS SUBJECT TO CHANGE WITHOUT NOTICE
DIMENSIONS ARE FOR REFERENCE ONLY

EFL (AT 587.6nm)	NA	 Edmund Optics®	
BFL (AT 587.6nm)	NA		
ALL DIMS IN	mm	TITLE	550nm CWL, 50mm Dia, 93nm Bandwidth, OD 6 Fluorescence Filter
		DWG NO	33331
			SHEET 1 OF 1