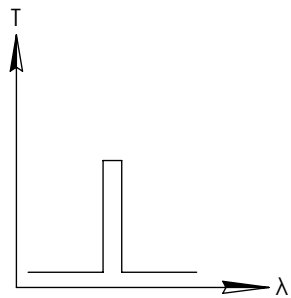
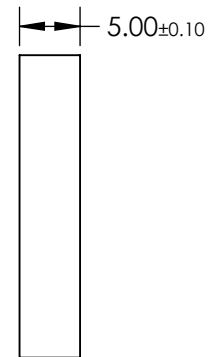
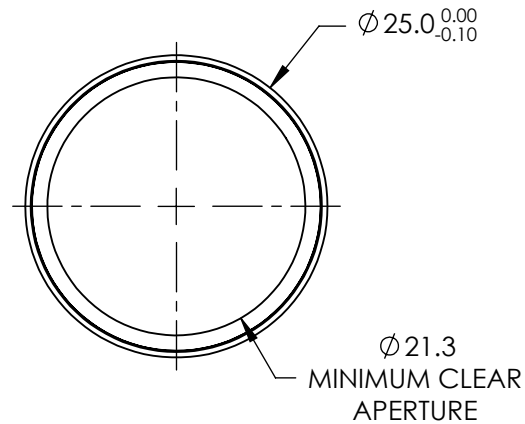
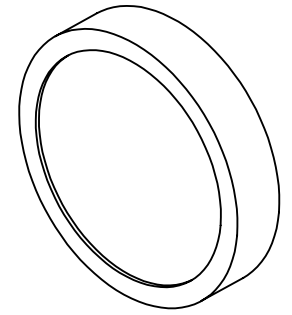


**FOR INFORMATION ONLY:  
DO NOT MANUFACTURE  
PARTS TO THIS DRAWING**

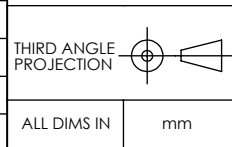


BANDPASS FILTER

SPECIFICATIONS SUBJECT TO CHANGE WITHOUT NOTICE  
DIMENSIONS ARE FOR REFERENCE ONLY

|                          | VALUE                                   |
|--------------------------|---|
| CENTER WAVELENGTH (nm)   | 505nm                                   |
| FULL WIDTH HALF MAX (nm) | 10nm                                    |
| MINIMUM TRANSMISSION     | ≥85                                     |
| BLOCKING                 | 200 - 1200                              |
| SURFACE QUALITY          | 80-50                                   |
| CONSTRUCTION             | MOUNTED IN BLACK ANODIZED ALUMINUM RING |
| COATING TYPE             | HARD COATED                             |

**EO**® Edmund Optics®



|        |   |       |        |
|--------|---|-------|--------|
| TITLE  | OD4, Ø25mm, 505nm x 10nm, HC, BP FILTER |       |        |
| DWG NO | 34506                                   | SHEET | 1 OF 1 |